

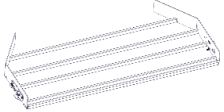


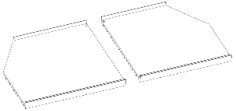



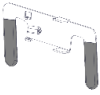
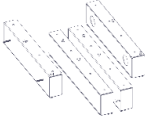


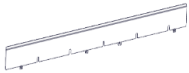
Installation manual TurnLoader™ ColdFront 1250/550



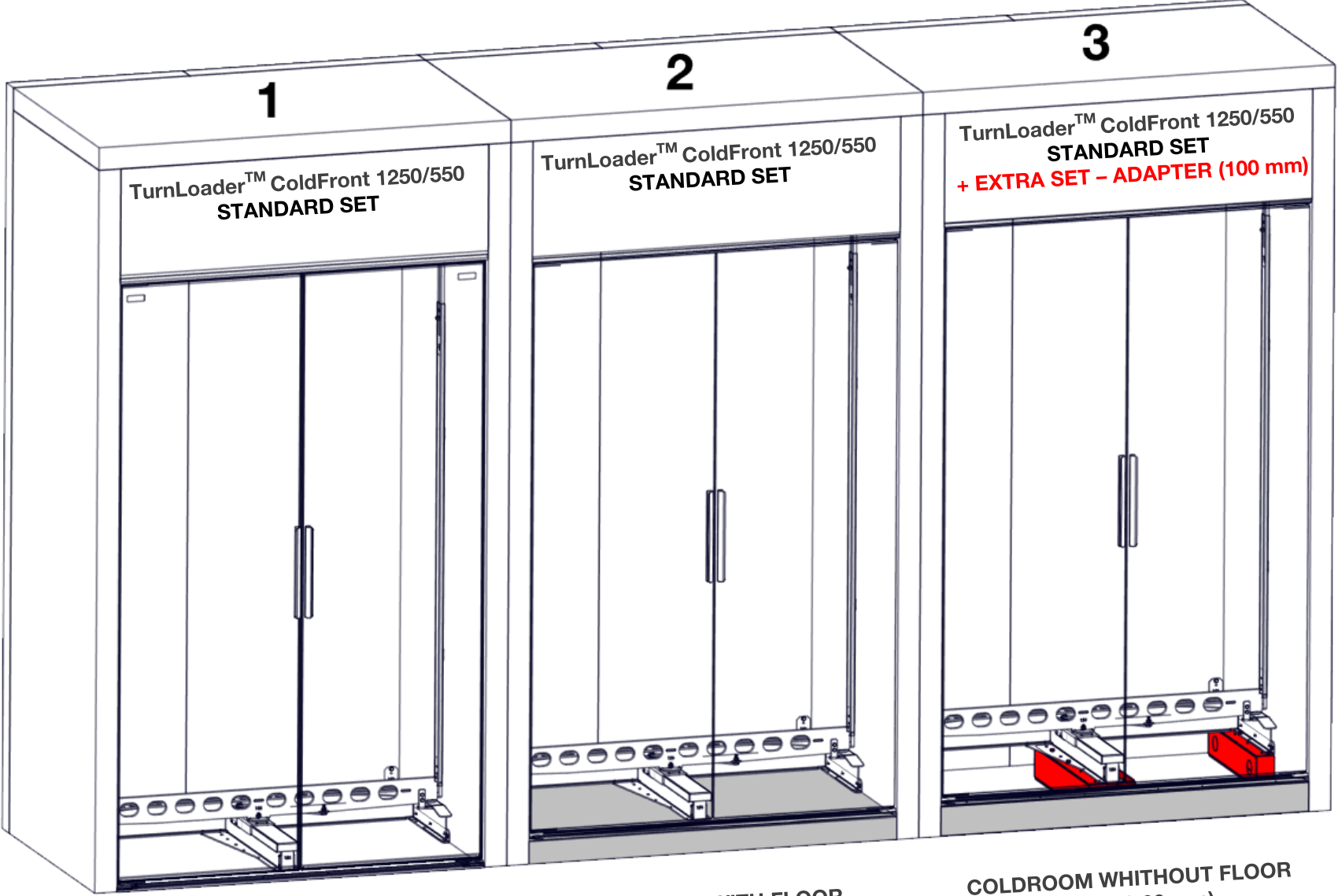
STANDARD SET - TurnLoader™ ColdFront 1250/550 - TOP Art. No **0156-000**

TurnLoader ColdFront 1250/550 packing details							TurnLoader ColdFront 1250/550 packing details											
PARTS							PARTS											
SET Art. No	Picture packing	Picture	Product name	Art. No	Weight/ item	Qty	SET Art. No	Picture packing	Picture	Product name	Art. No	Weight/ item	Qty					
1/10 100523 pack. 270 x 180 x 30, weight = 0,075 kg			rubber 570 rubber 500	320321/001000	0,050 0,044	2 2	8/10 0156-29500-0 packing 1280 x 600 x 115 /mm/, weight = 15,6 kg			Adjustable Shelf 0",4",8",12" /550	0156-29300-0	8,300 kg	1					
			Connecting mat. for -Frame	0156-50000-0	0,335 kg	1				Plastic part of adjustable shelf	0156-29501-0 0156-29502-0	3,800 kg	1					
			Handle for frame	0156-51000-0	0,396 kg	1				Fontstopper Height 113 mm	0156-1180-113	0,630 kg	1					
2/10 0156-101000-0 weight = 0,075 kg			Cable tray LV 30	0156-101000-0	0,075 kg	1	9/10 0156-29500-0 packing 1280 x 600 x 115 /mm/, weight = 15,6 kg			Adjustable Shelf 0",4",8",12" /550	0156-29300-0	8,300 kg	1					
3/10 0156-38000-0 weight = 25,6 kg			Bottom Part	0156-38000-0	25,600 kg	1				Plastic part of adjustable shelf	0156-29501-0 0156-29502-0	3,800 kg	1		Fontstopper Height 113 mm	0156-1180-113	0,630 kg	1
															Divider Easyfill Uni 620	400476	0,050 kg	15
4/10 0156-22000-0 weight = 9,10 kg			Top part	0156-22000-0	9,100 kg	1		Price Ticket LE-1180	CLSTR-459205-LE-1180	0,050 kg	1		Adjustable Shelf 0",4",8",12" /550	0156-29300-0	8,300 kg	1		
5/10 0156-32500 weight = 6,9 kg																		
		Divider Easyfill Uni 620	400476	0,050 kg	15													
6/10 0156-29500-0 packing 1280 x 600 x 115 /mm/, weight = 15,6 kg			Adjustable Shelf 0",4",8",12" /550	0156-29300-0	8,300 kg	1	10/10 0156-29500-0 packing 1280 x 600 x 115 /mm/, weight = 15,6 kg			Adjustable Shelf 0",4",8",12" /550	0156-29300-0	8,300 kg	1					
			Plastic part of adjustable shelf	0156-29501-0 0156-29502-0	3,800 kg	1				Plastic part of adjustable shelf	0156-29501-0 0156-29502-0	3,800 kg	1					
			Fontstopper Height 113 mm	0156-1180-113	0,630 kg	1				Fontstopper Height 113 mm	0156-1180-113	0,630 kg	1					
			Divider Easyfill Uni 620	400476	0,050 kg	15				Divider Easyfill Uni 620	400476	0,050 kg	15					
			Price Ticket LE-1180	CLSTR-459205-LE-1180	0,050 kg	1				Price Ticket LE-1180	CLSTR-459205-LE-1180	0,050 kg	1					
7/10 0156-29500-0 packing 1280 x 600 x 115 /mm/, weight = 15,6 kg			Adjustable Shelf 0",4",8",12" /550	0156-29300-0	8,300 kg	1			Adjustable Shelf 0",4",8",12" /550	0156-29300-0	8,300 kg	1						
			Plastic part of adjustable shelf	0156-29501-0 0156-29502-0	3,800 kg	1			Plastic part of adjustable shelf	0156-29501-0 0156-29502-0	3,800 kg	1						
			Fontstopper Height 113 mm	0156-1180-113	0,630 kg	1			Fontstopper Height 113 mm	0156-1180-113	0,630 kg	1						
			Divider Easyfill Uni 620	400476	0,050 kg	15			Divider Easyfill Uni 620	400476	0,050 kg	15						
			Price Ticket LE-1180	CLSTR-459205-LE-1180	0,050 kg	1			Price Ticket LE-1180	CLSTR-459205-LE-1180	0,050 kg	1						

ACCESSORIES - TurnLoader ColdFront 1250/550

TurnLoader packing details					ACCESSORIES					TurnLoader packing details					ACCESSORIES				
Picture	Product name	Art. No	Weight	Qty.	Picture	Product name	Art. No	Weight	Qty.	Picture	Product name	Art. No	Weight	Qty.					
	Adjustable Shelf 0°-12°/450	0156-29300-0	8,300 kg	1		Divider Easyfill Uni 620	400476	0,050 kg	1		Divider extender L=483 mm	889090	0,030 kg	1					
	Plastic part of adjustable shelf	0156-29501-0 0156-29502-0	3,800 kg	1		Pusher	0118-00000-0	0,050 kg	1		Rolletrack	400392	0,150 kg	1					
	Price Ticket LE- 1180	CLSTR-459205-LE- 1180	0,050 kg	1		Handle for frame	0156-51000-0	0,396 kg	1		Adapter	0156-39000-0	15,100 kg	1					
	Frontstopper High H 113 mm	0156-1180-113	0,630 kg	1															
	Frontstopper Low H 54 mm	0156-01180-54	0,250 kg	1															
	Frontstopper ExtraHigh H163 mm	0156-01180-163	0,850 kg	1															

VARIANTS



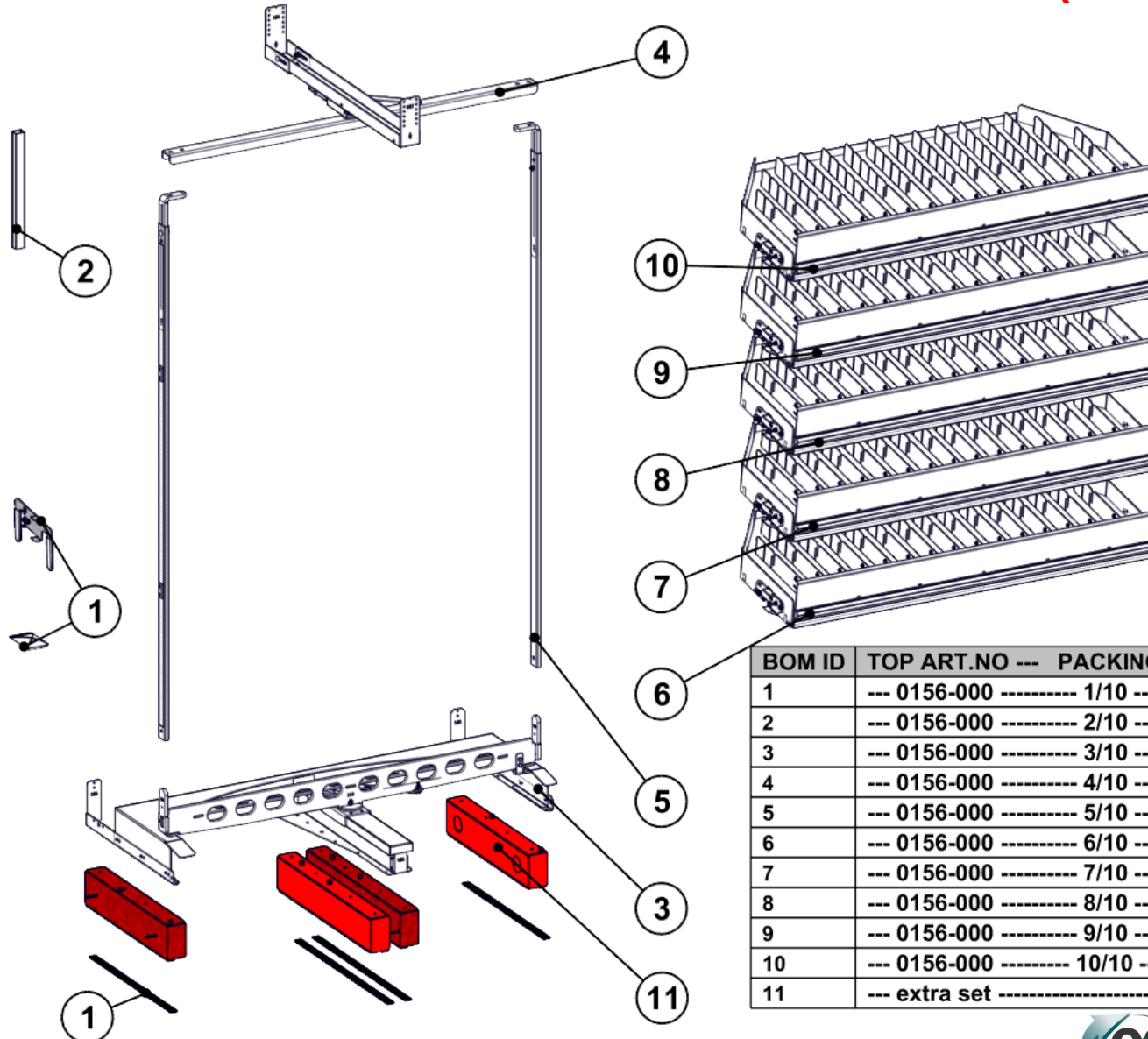
COLDROOM WITHOUT FLOOR

COLDROOM WITH FLOOR

COLDROOM WITHOUT FLOOR
+ STEP (100 mm)

TurnLoader™ ColdFront 1250/550

STANDARD SET + **EXTRA SET - ADAPTER (100 mm)**

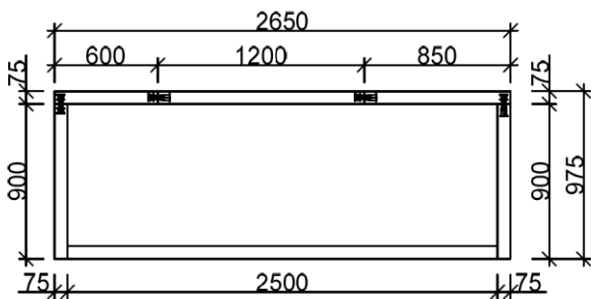


BOM ID	TOP ART.NO ---	PACKING ---	SET ART. NO
1	--- 0156-000	----- 1/10	----- 100523
2	--- 0156-000	----- 2/10	----- 0156-10100-0
3	--- 0156-000	----- 3/10	----- 0156-38000-0
4	--- 0156-000	----- 4/10	----- 0156-22000-0
5	--- 0156-000	----- 5/10	----- 0156-32500-0
6	--- 0156-000	----- 6/10	----- 0156-29500-0
7	--- 0156-000	----- 7/10	----- 0156-29500-0
8	--- 0156-000	----- 8/10	----- 0156-29500-0
9	--- 0156-000	----- 9/10	----- 0156-29500-0
10	--- 0156-000	----- 10/10	----- 0156-29500-0
11	--- extra set	-----	----- 0156-39000-0

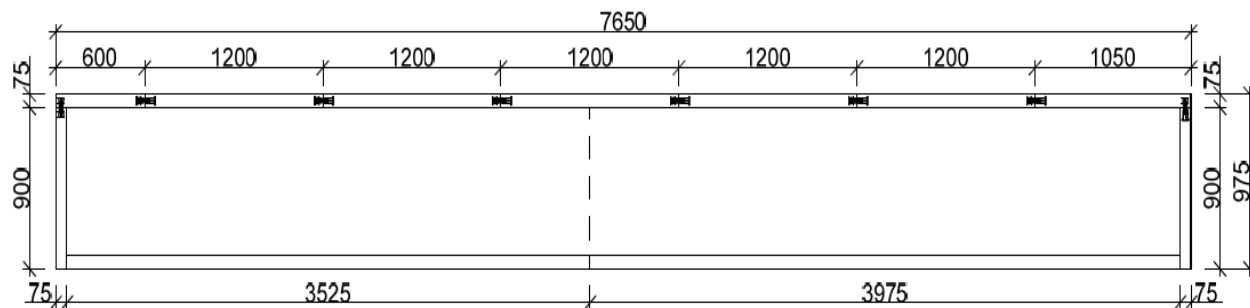
Room assembly

Pictures below are of informative character only - the internal measurement is important - measurement of panels may differ!

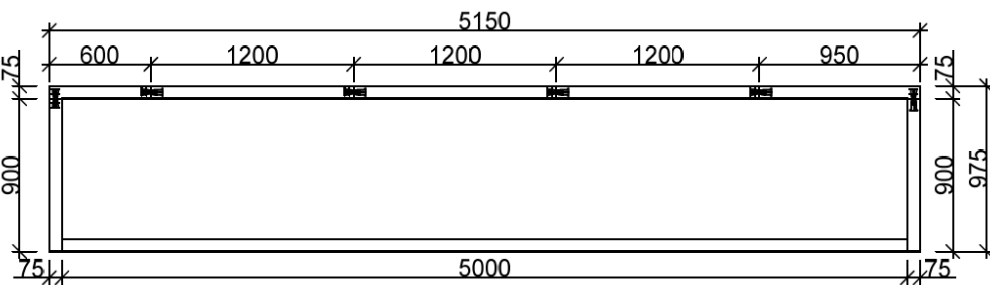
2,5 m - internal measurement



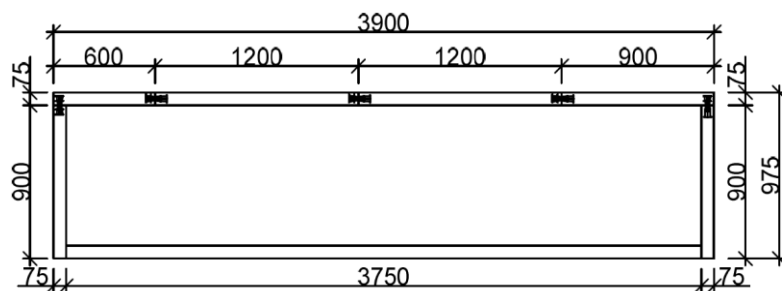
7,5 m - internal measurement



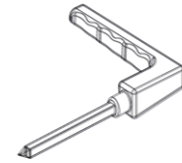
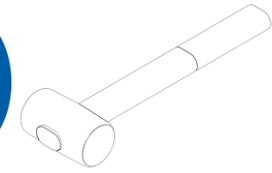
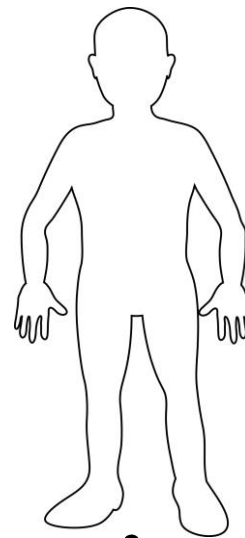
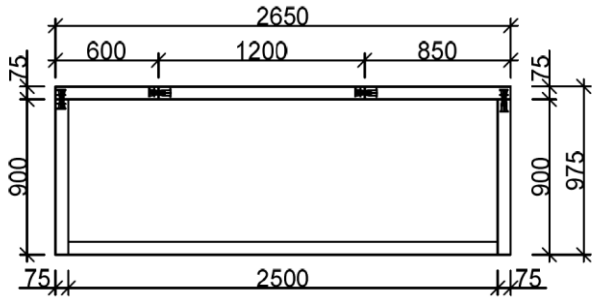
5 m - internal measurement



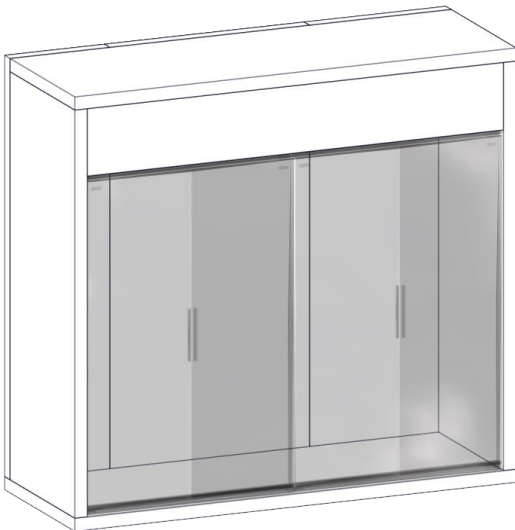
3,75 m - internal measurement



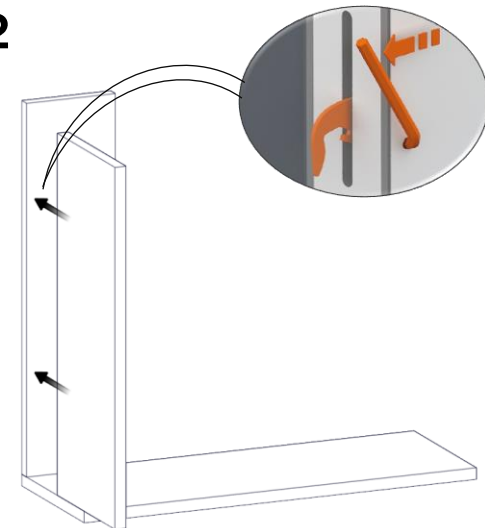
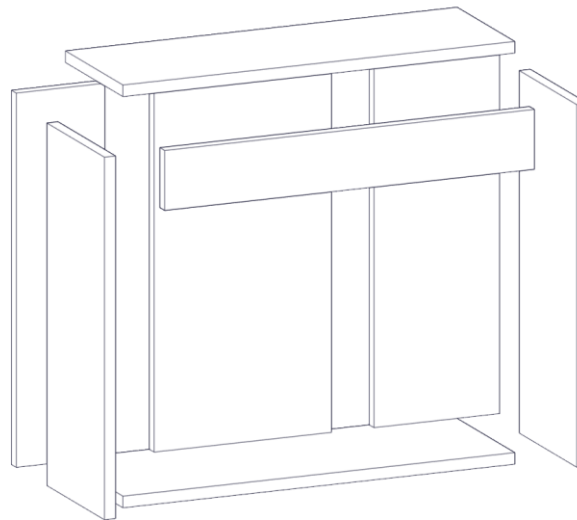
2,5 m - internal measurement



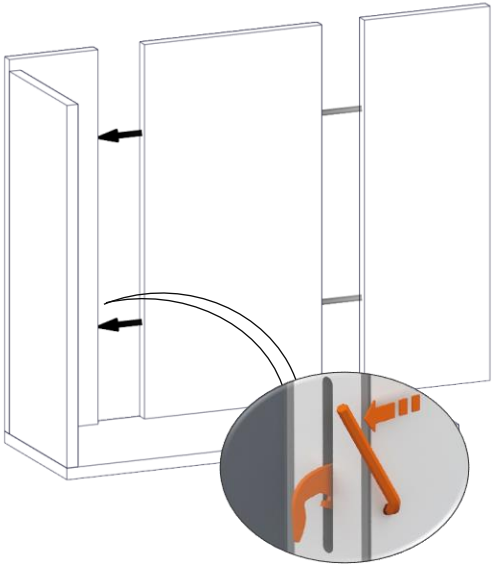
1



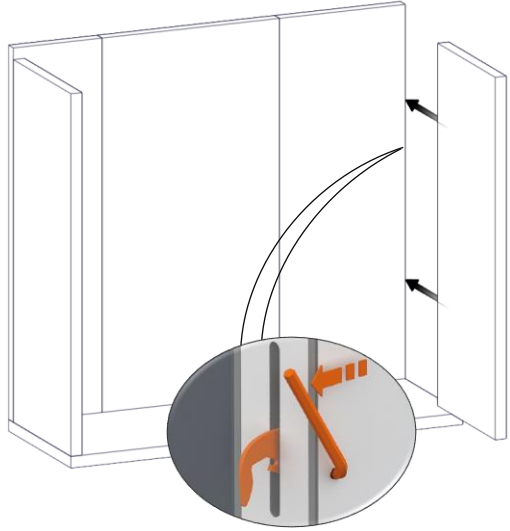
2



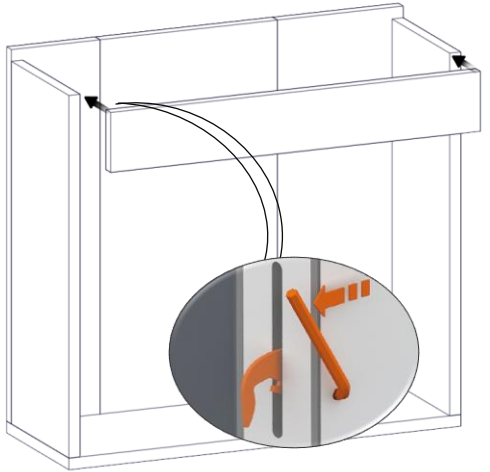
3



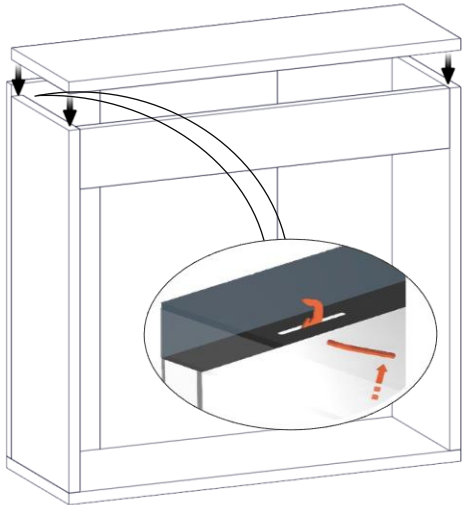
4



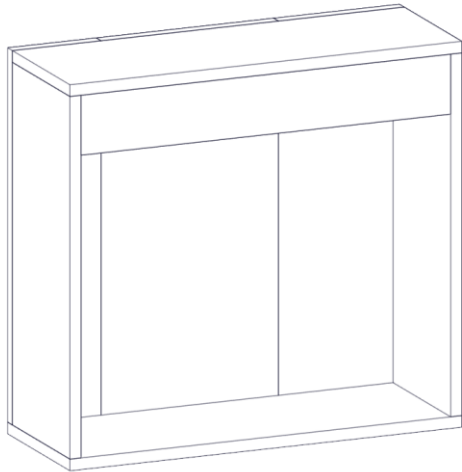
5



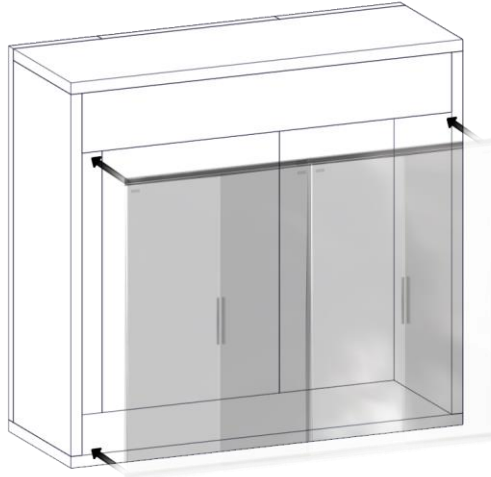
6



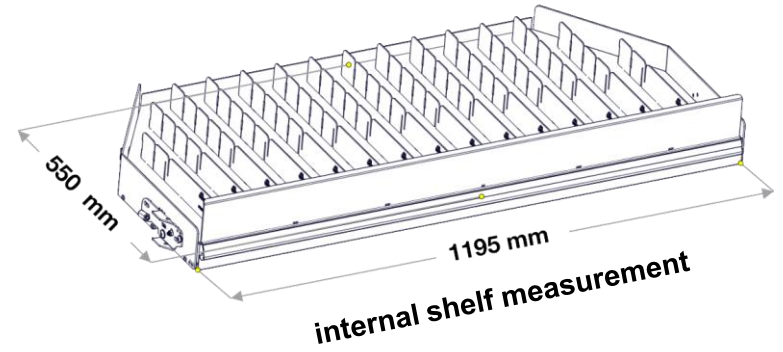
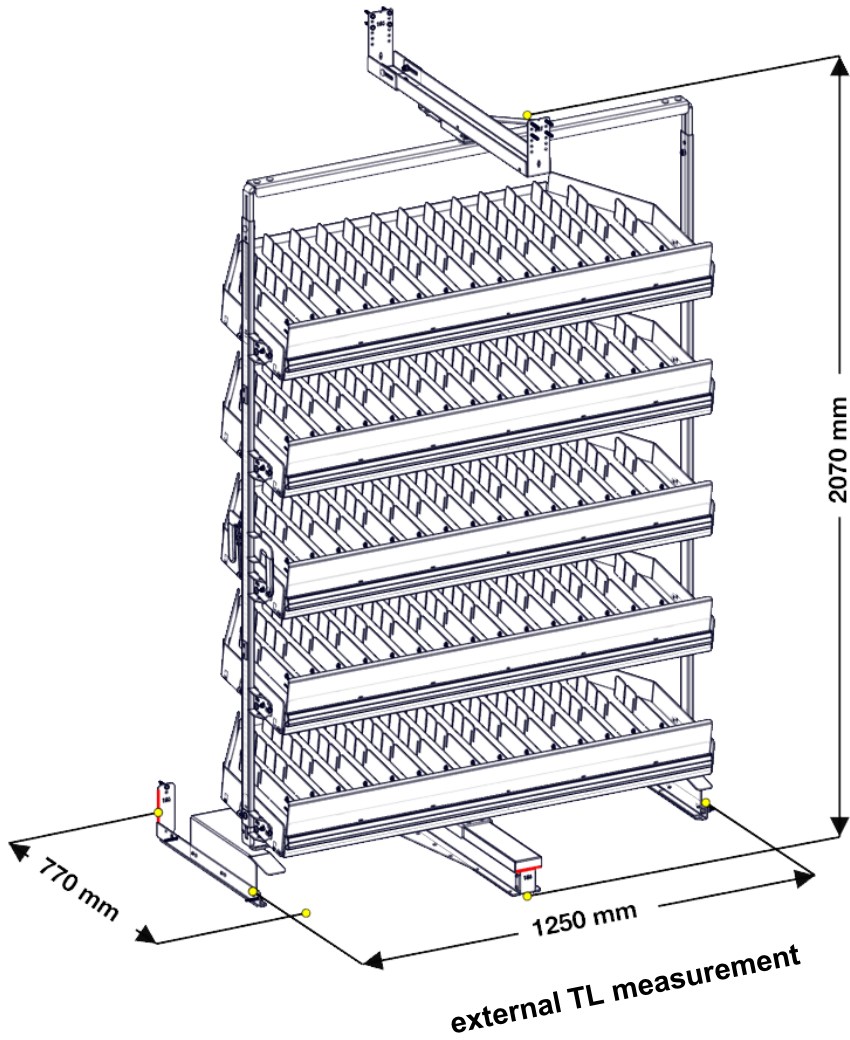
7

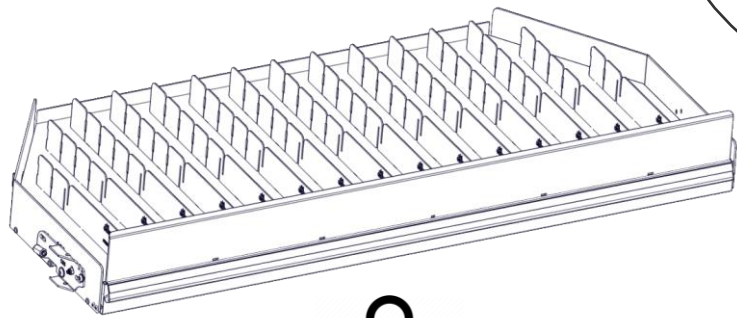


8

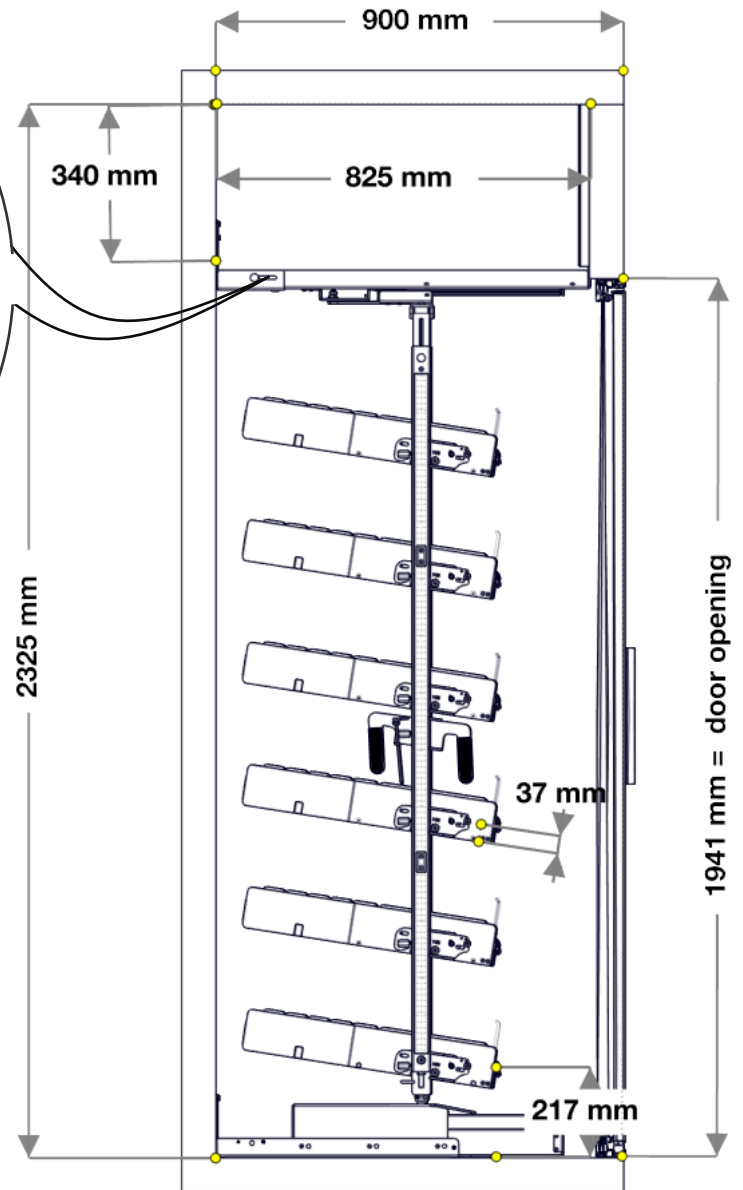
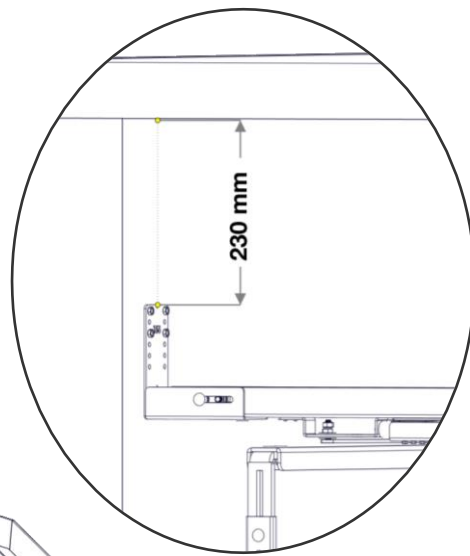
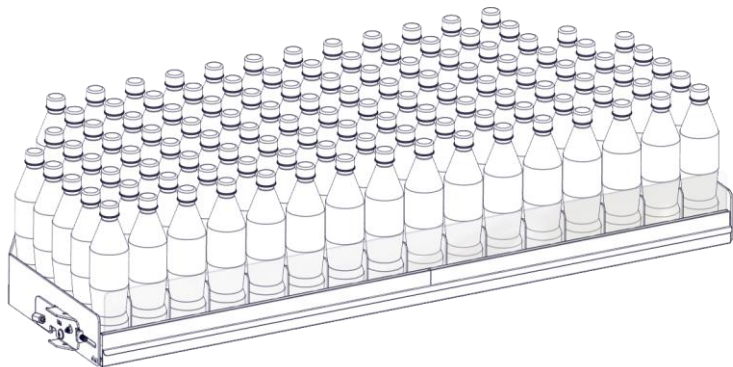


TurnLoader™ ColdFront 1250/550

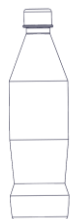




**Max
100 kg**



TL Coldfront 1250/550 measurement



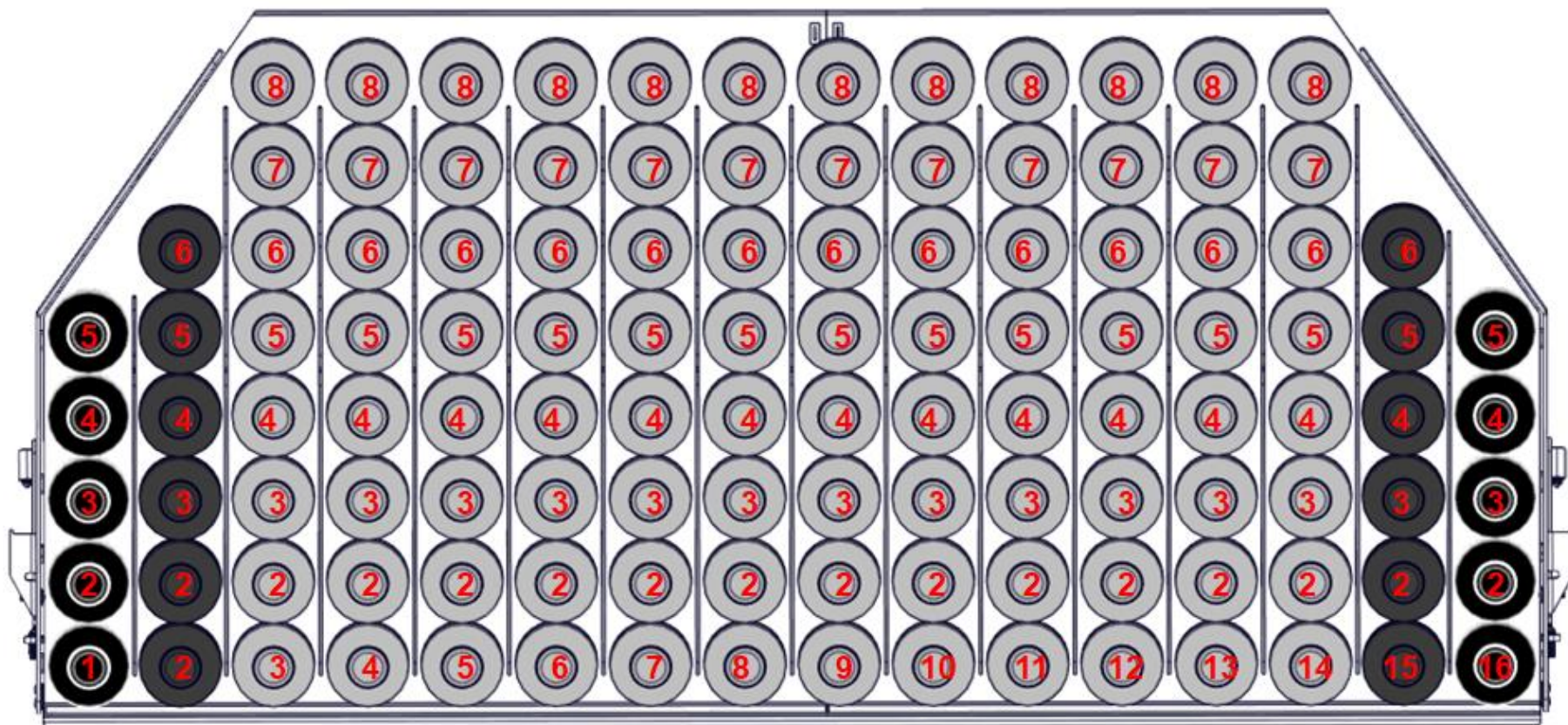
- 500 ml PET
- Ø 65 mm
- 0,48 m²

$$5 \times 2 = 10$$

$$6 \times 2 = 12$$

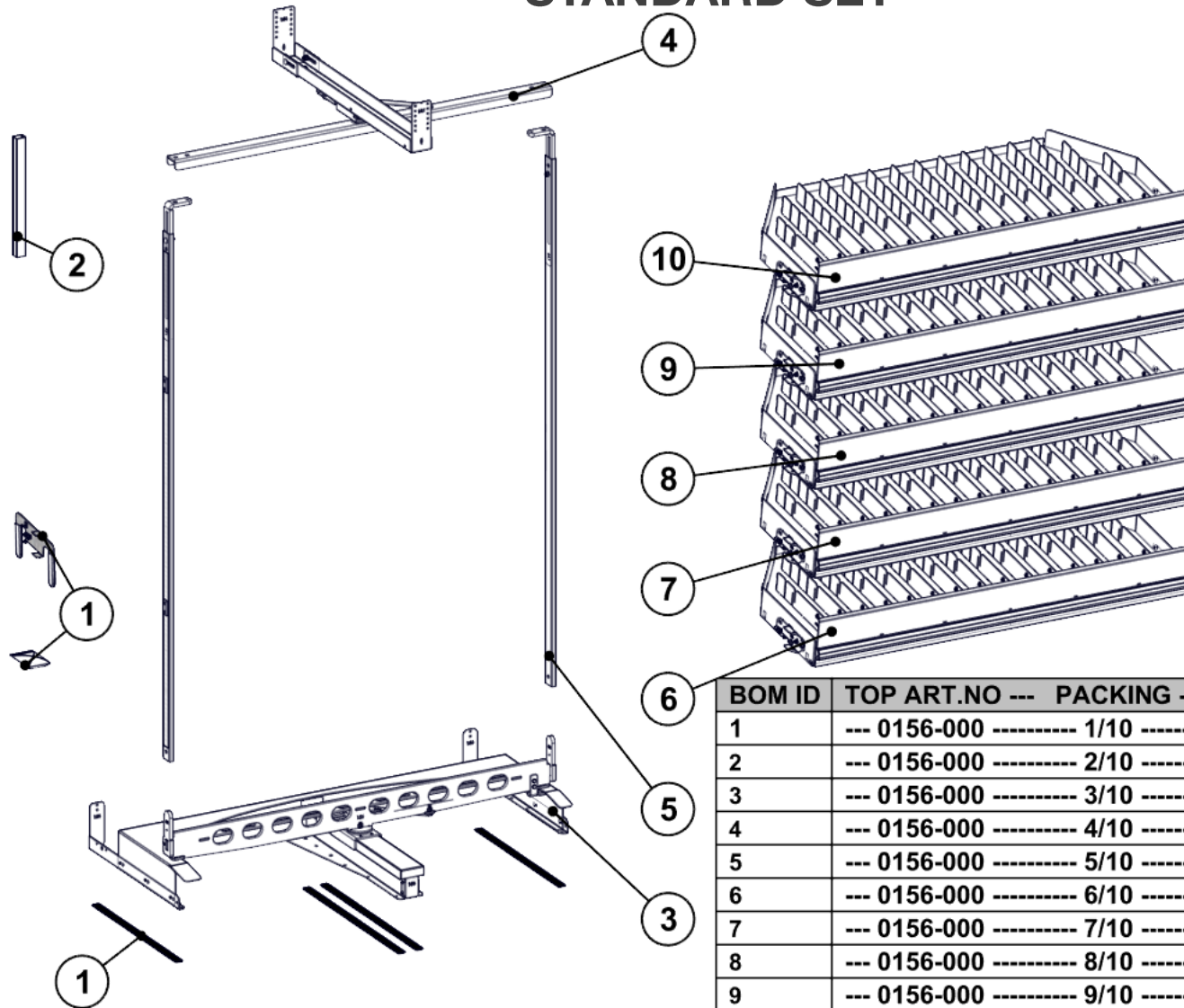
$$8 \times 12 = 96$$

$$= 118$$



TurnLoader™ ColdFront 1250/550

STANDARD SET



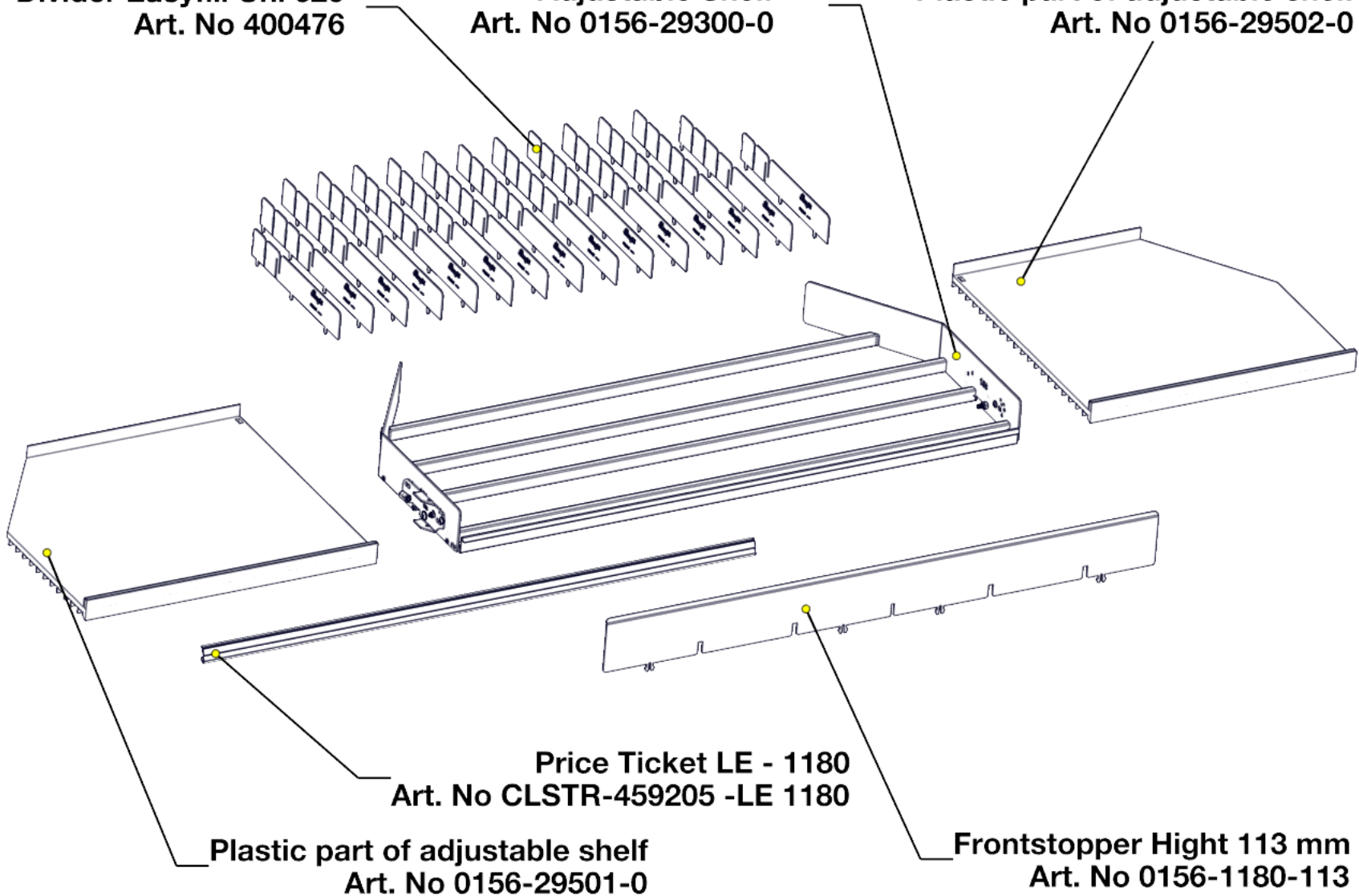
BOM ID	TOP ART.NO	PACKING	SET ART. NO
1	--- 0156-000	----- 1/10	----- 100523
2	--- 0156-000	----- 2/10	----- 0156-10100-0
3	--- 0156-000	----- 3/10	----- 0156-38000-0
4	--- 0156-000	----- 4/10	----- 0156-22000-0
5	--- 0156-000	----- 5/10	----- 0156-32500-0
6	--- 0156-000	----- 6/10	----- 0156-29500-0
7	--- 0156-000	----- 7/10	----- 0156-29500-0
8	--- 0156-000	----- 8/10	----- 0156-29500-0
9	--- 0156-000	----- 9/10	----- 0156-29500-0
10	--- 0156-000	----- 10/10	----- 0156-29500-0

SET Art.No. 0156-29500-0

Divider Easyfill Uni 620
Art. No 400476

Adjustable Shelf
Art. No 0156-29300-0

Plastic part of adjustable shelf
Art. No 0156-29502-0

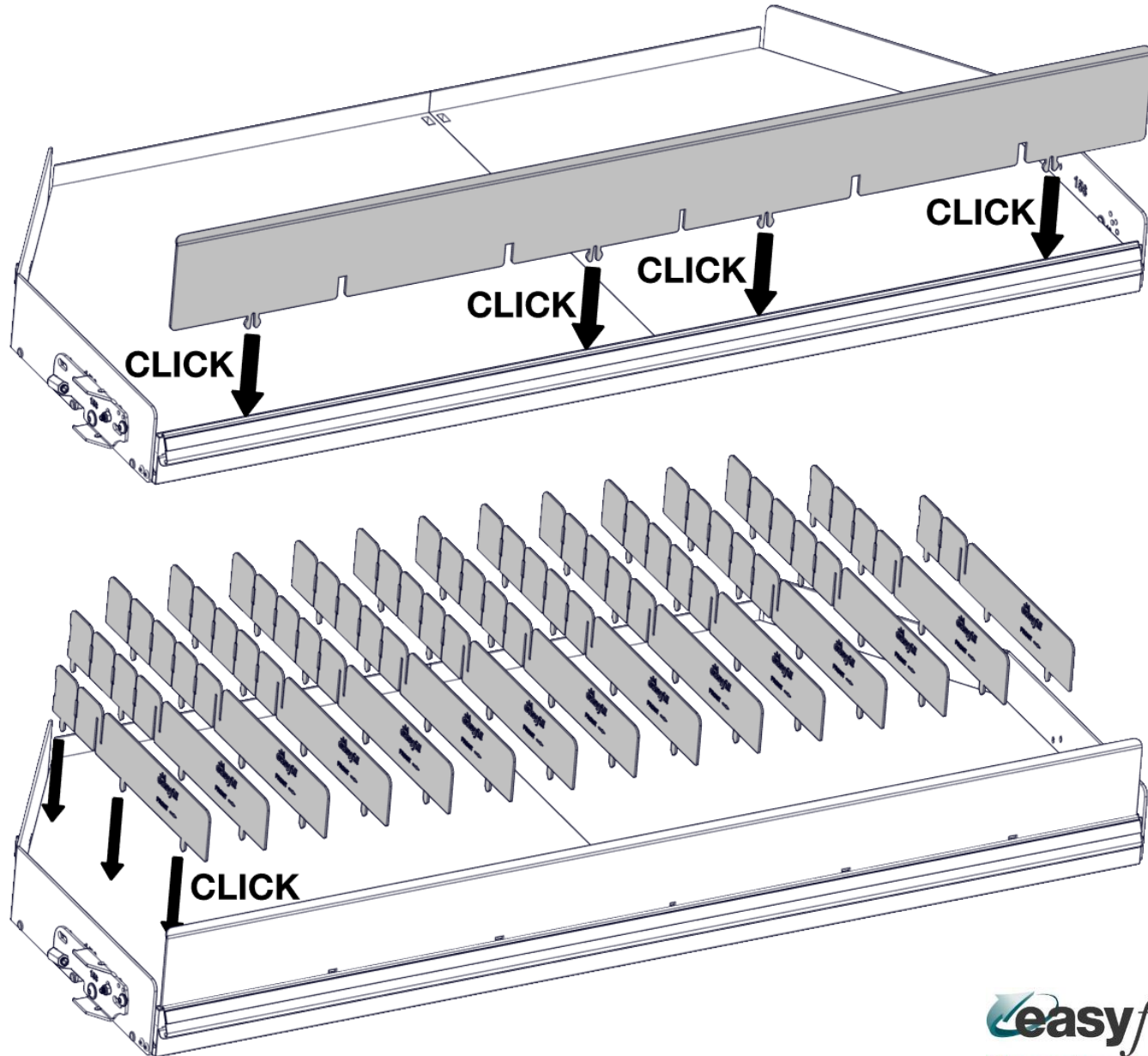


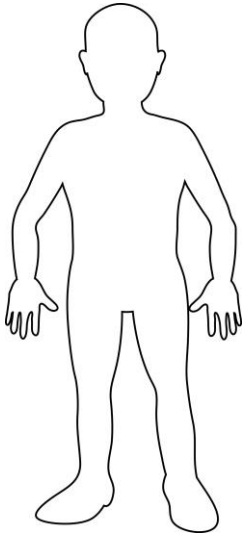
Price Ticket LE - 1180
Art. No CLSTR-459205 -LE 1180

Plastic part of adjustable shelf
Art. No 0156-29501-0

Frontstopper Hight 113 mm
Art. No 0156-1180-113

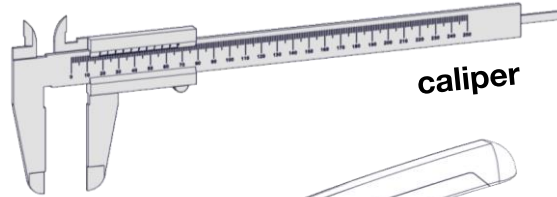
SET Art.No. 0156-29500-0



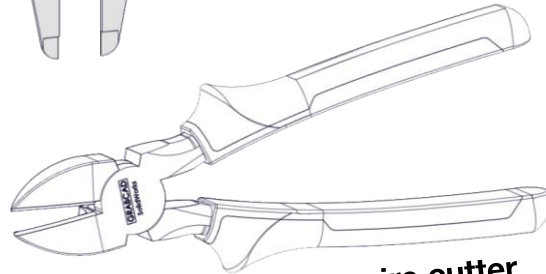


screw bit 10 mm

screwdriver



caliper



wire cutter



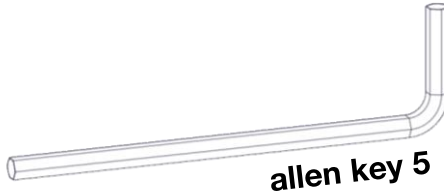
wrench 13 - 2x



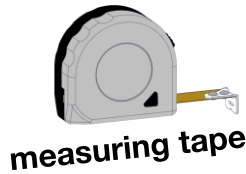
pencil



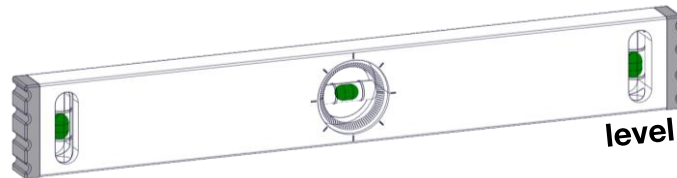
ladder



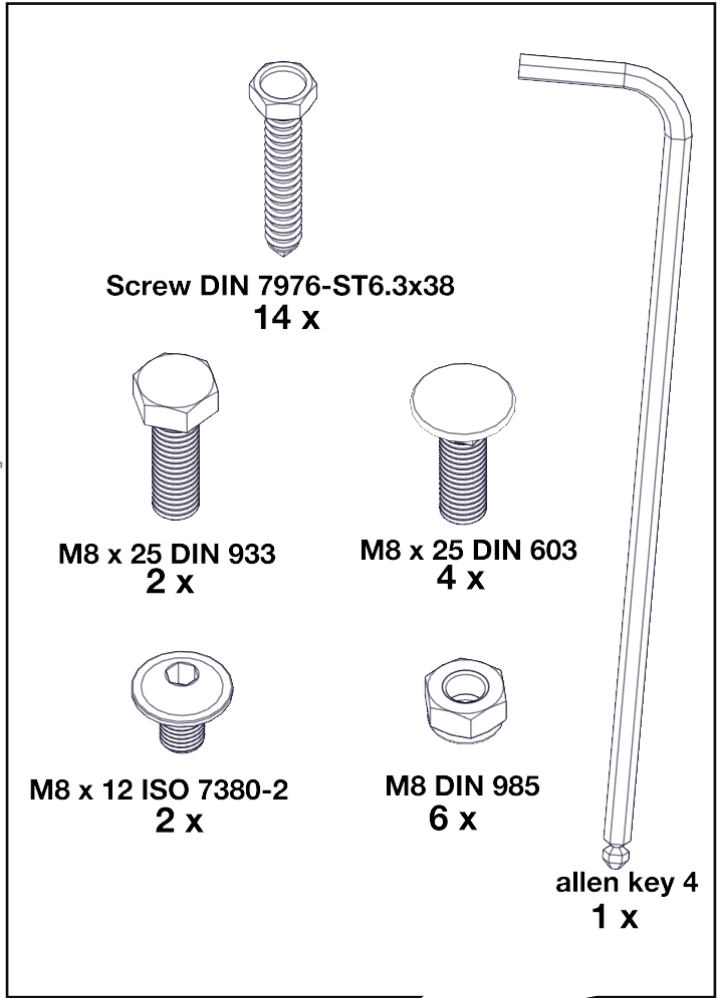
allen key 5



measuring tape



level



Screw DIN 7976-ST6.3x38
14 x

M8 x 25 DIN 933
2 x

M8 x 25 DIN 603
4 x

M8 x 12 ISO 7380-2
2 x

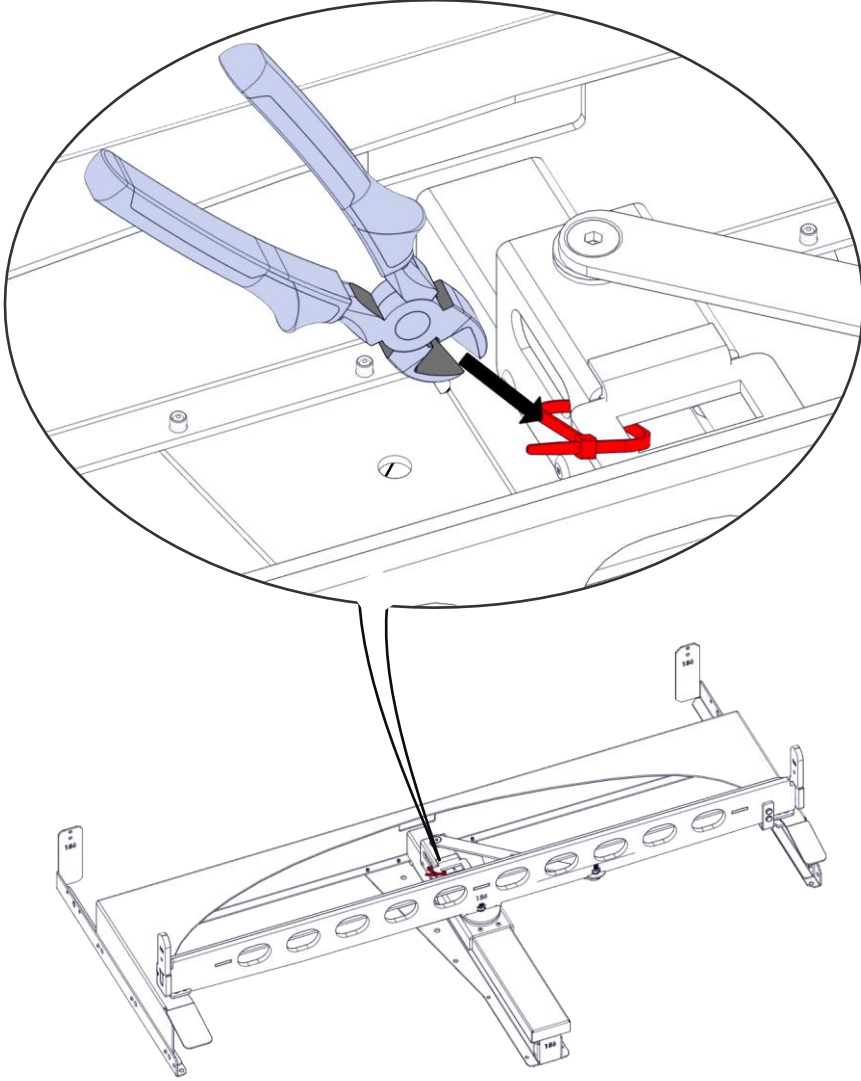
M8 DIN 985
6 x

allen key 4
1 x

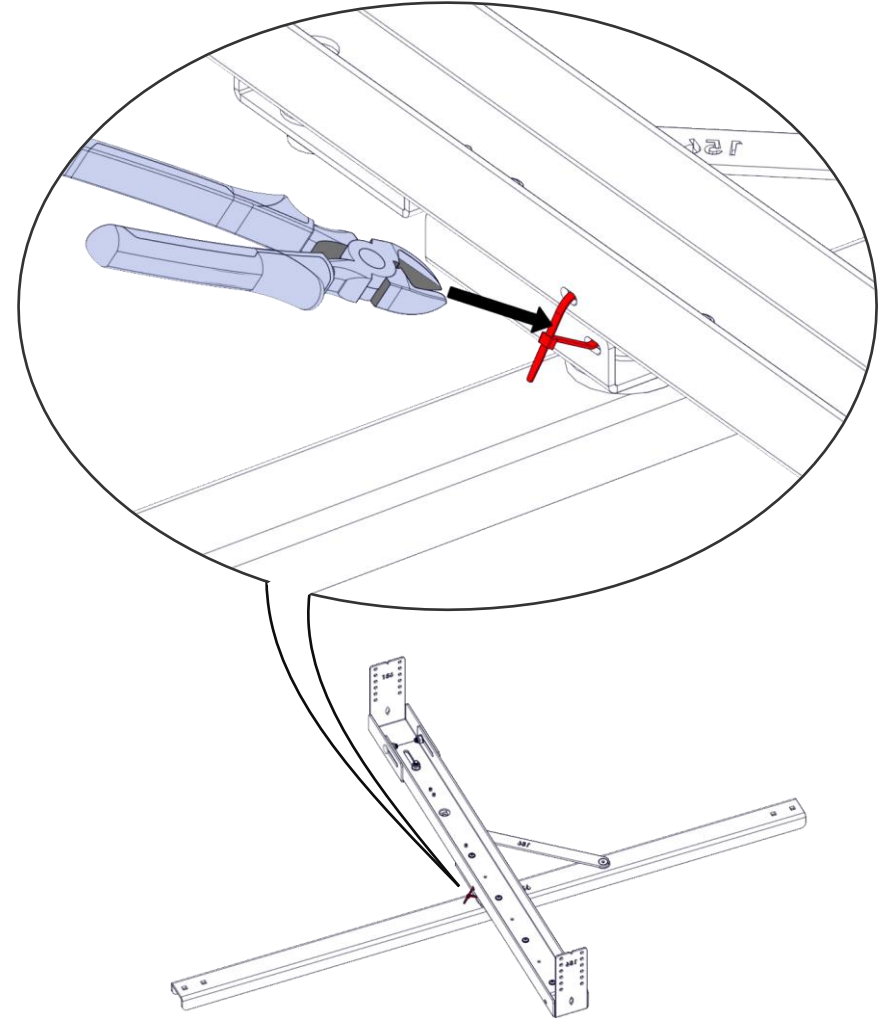


0156-50000-0

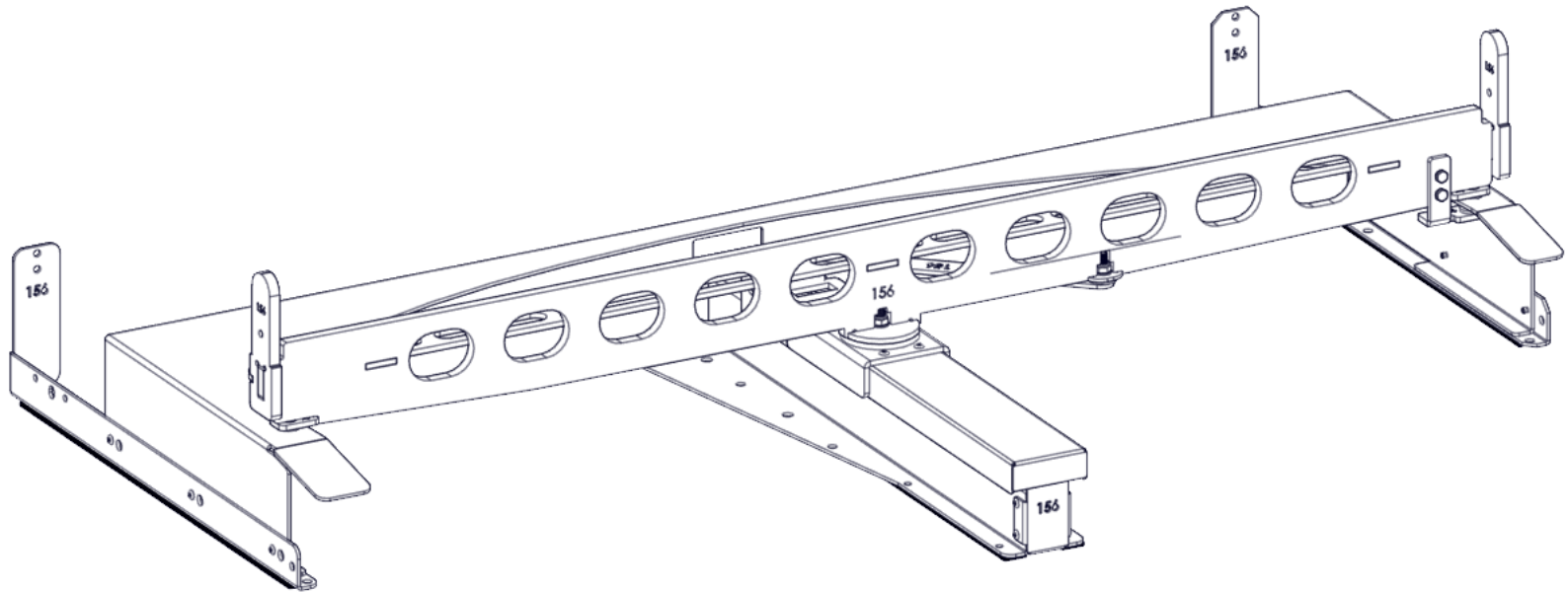
Art.No. 0156-38000-0



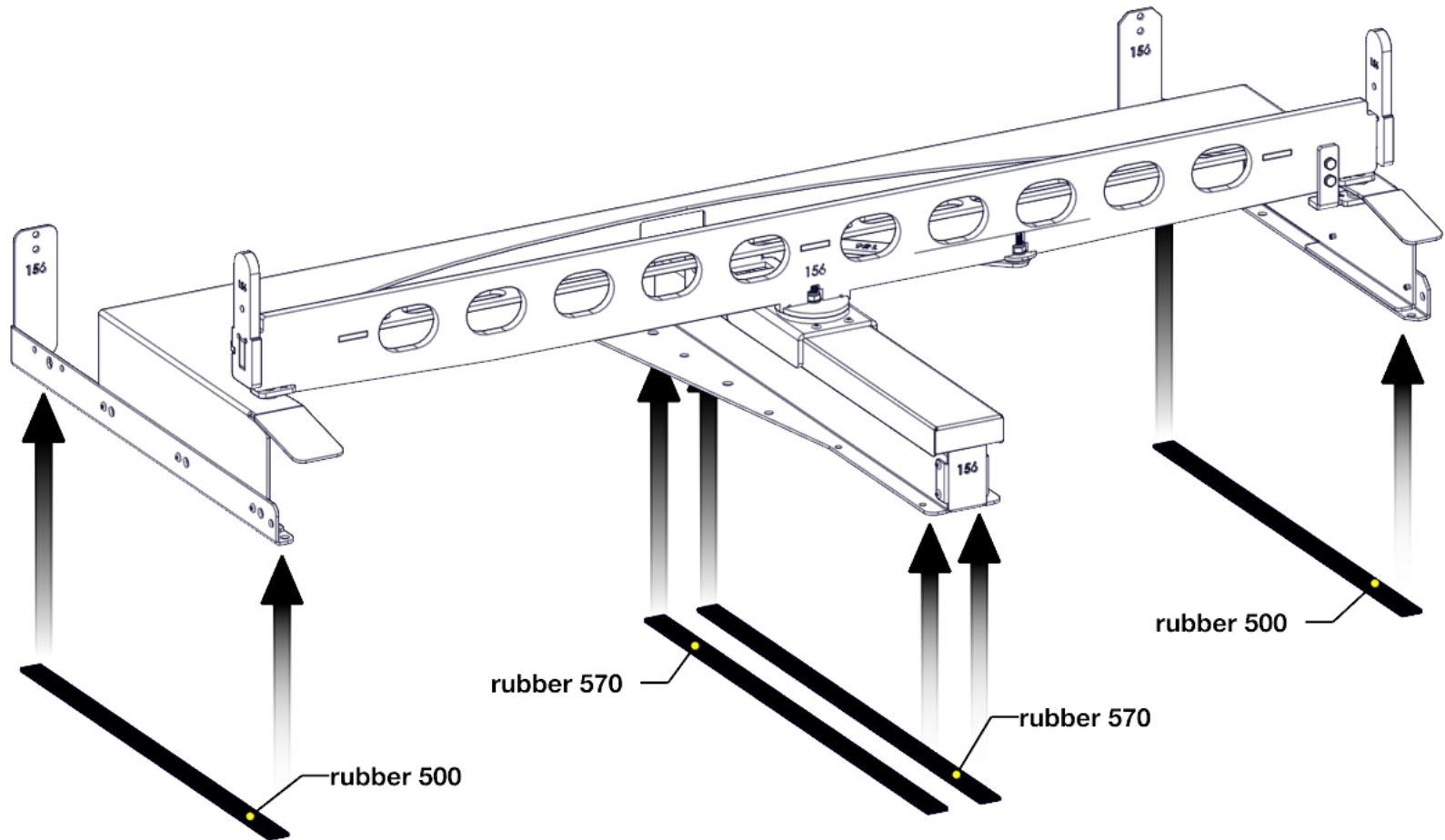
Art.No. 0156-22000-0



Installation of bottom part Art. No 0156-38000-0



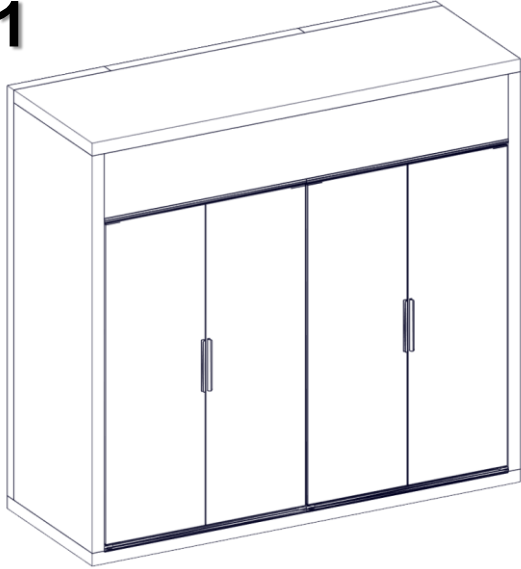
Installation of bottom part Art. No 0156-38000-0



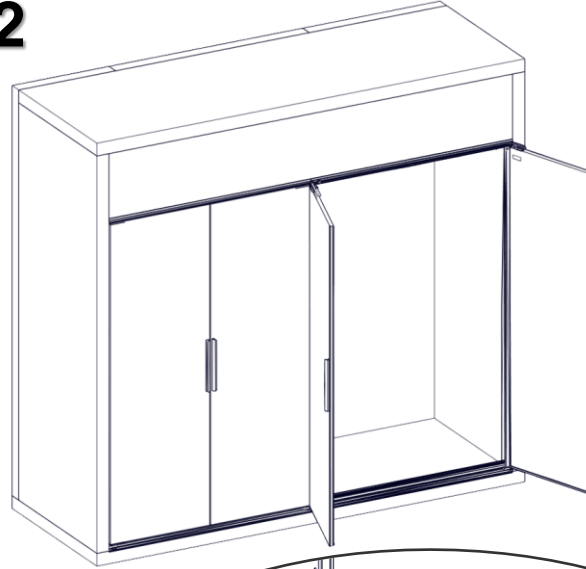
Installation of bottom part

Art. No 0156-38000-0

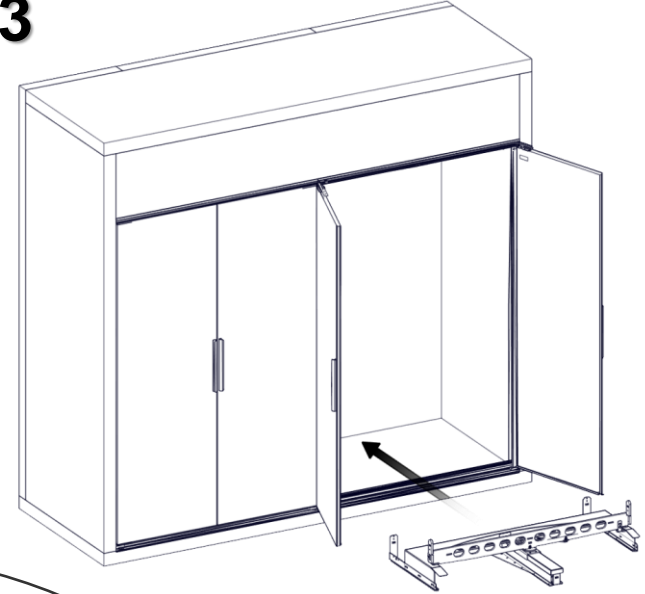
1



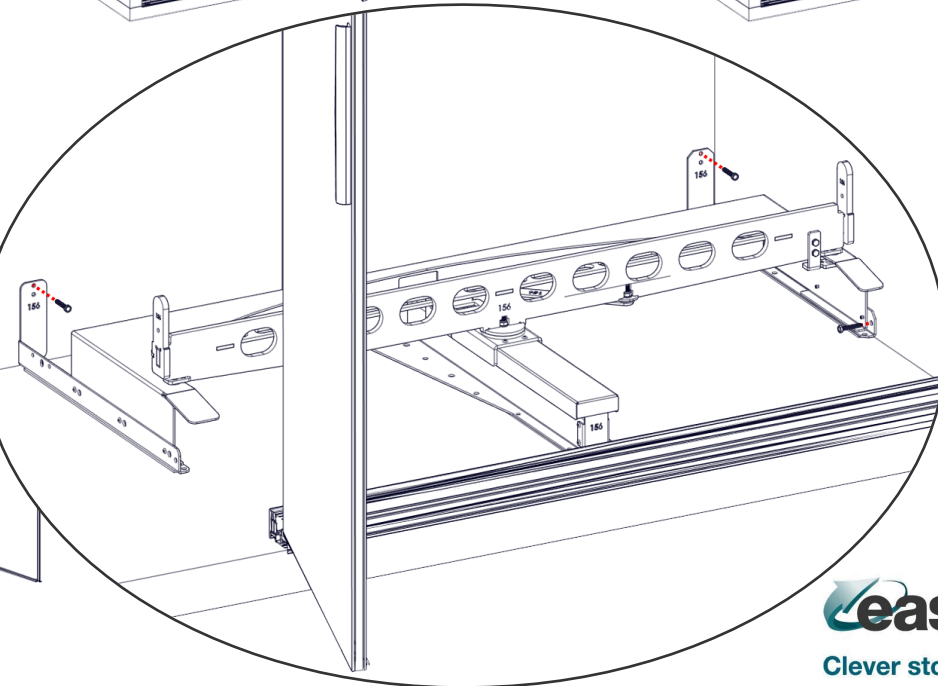
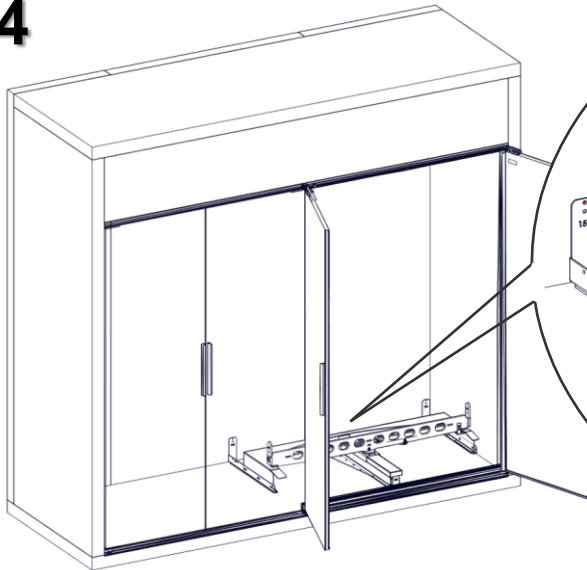
2



3

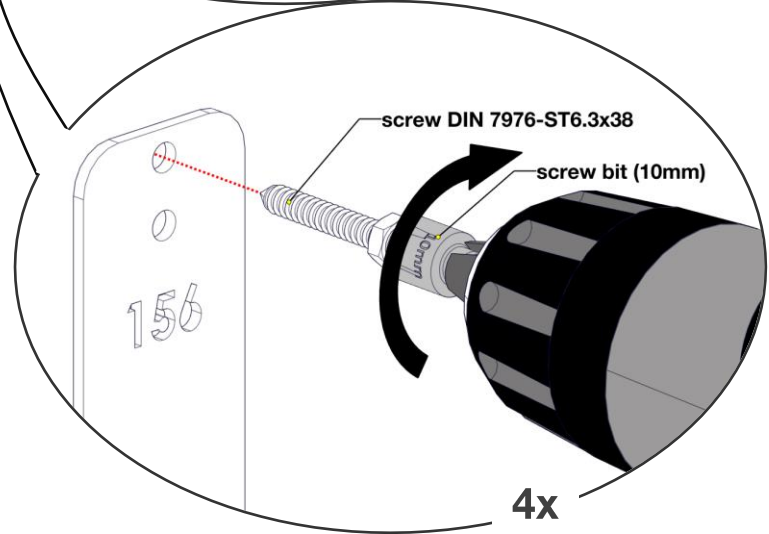
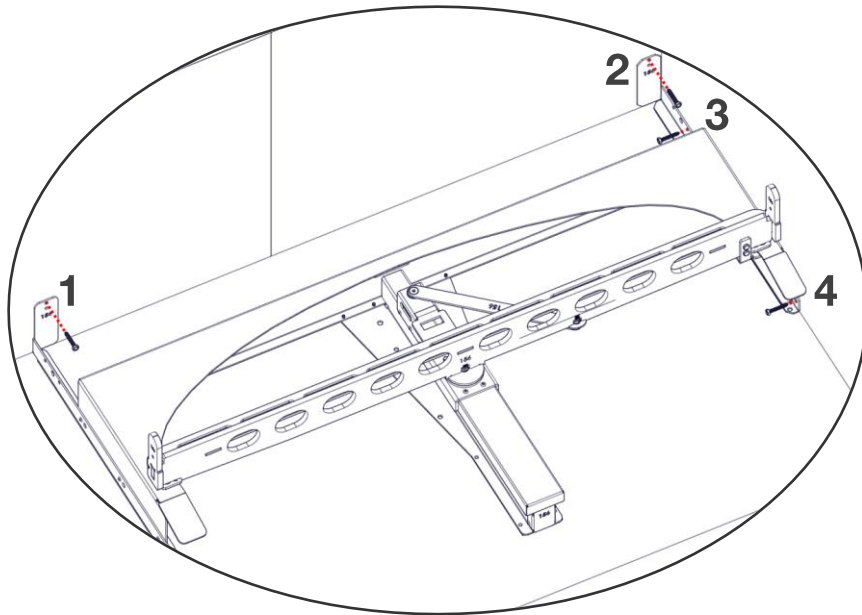
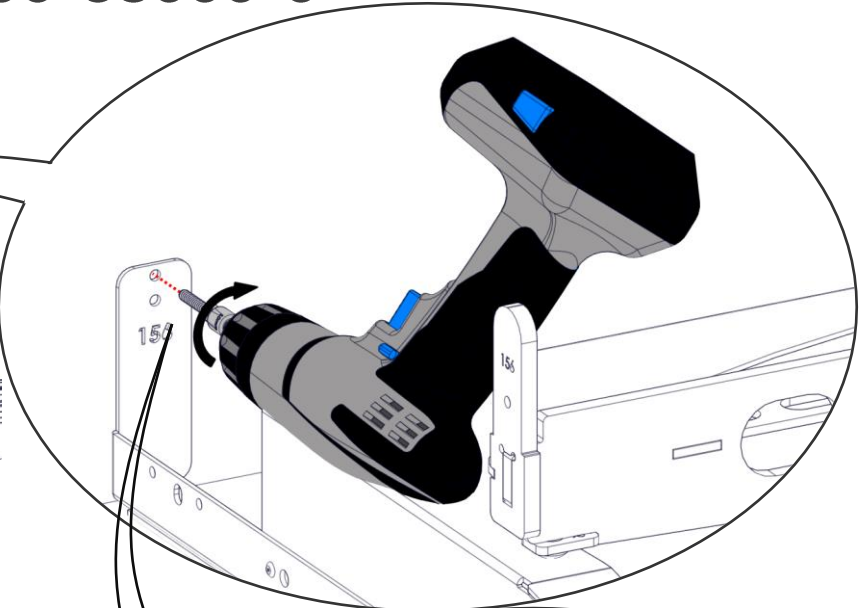
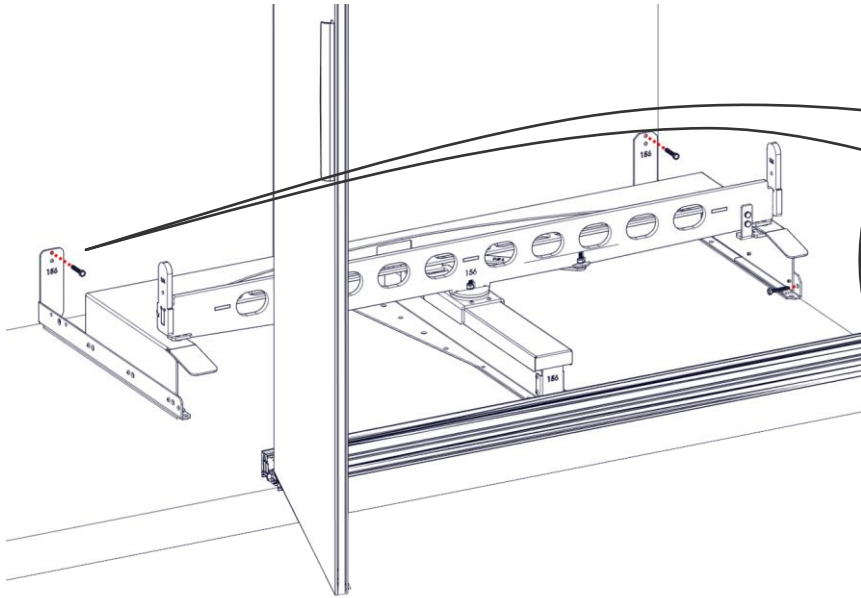


4

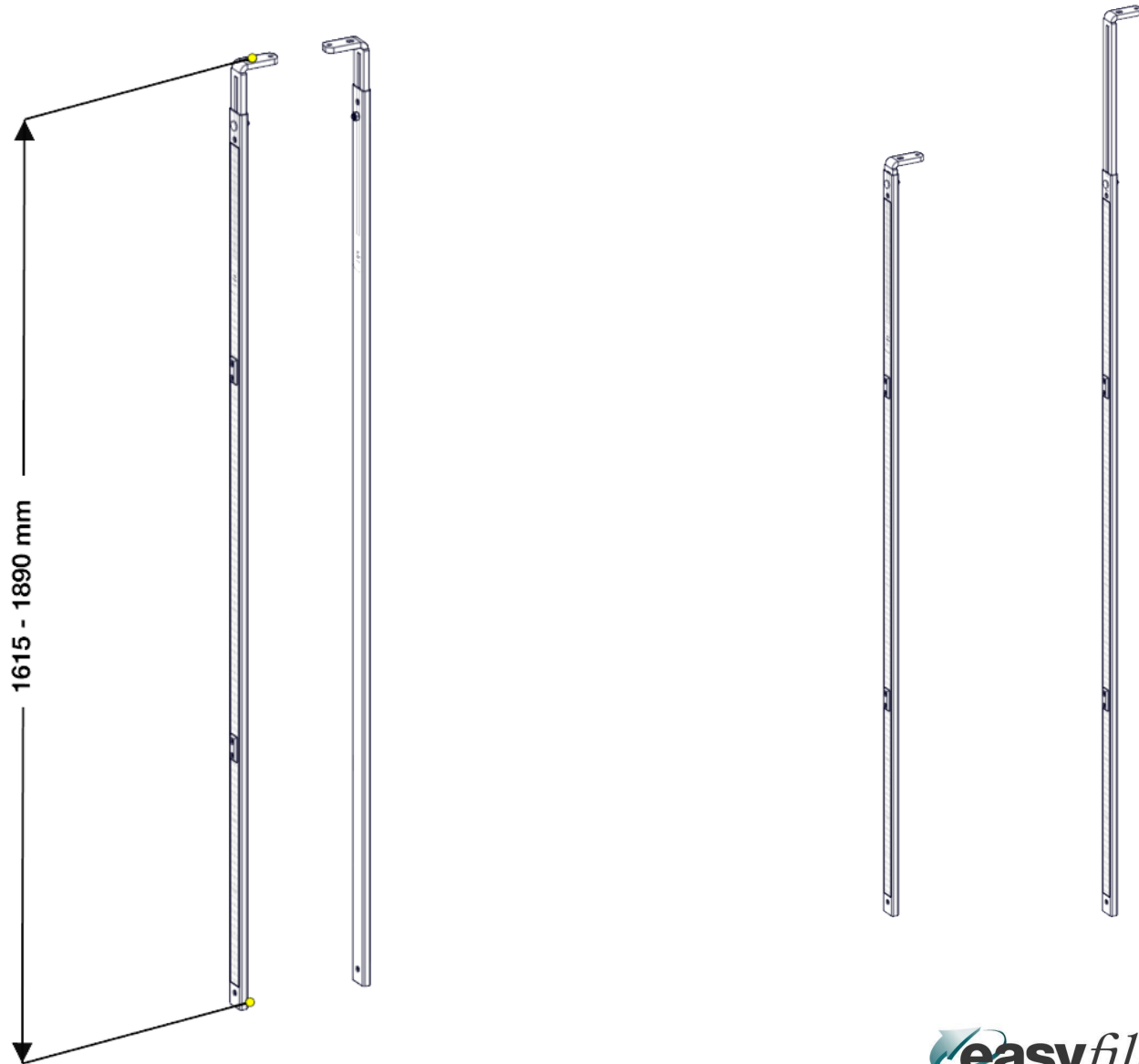


Installation of bottom part Art. No 0156-38000-0

5



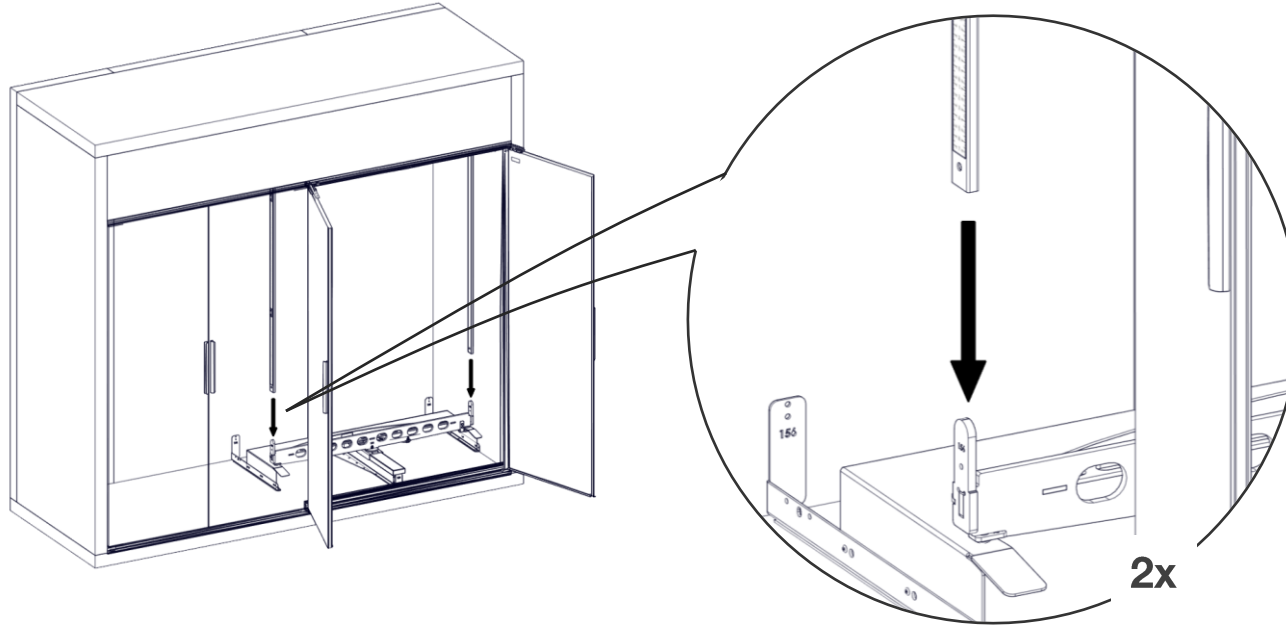
Installation of Adjustable frame Art. No 0156-32500-0



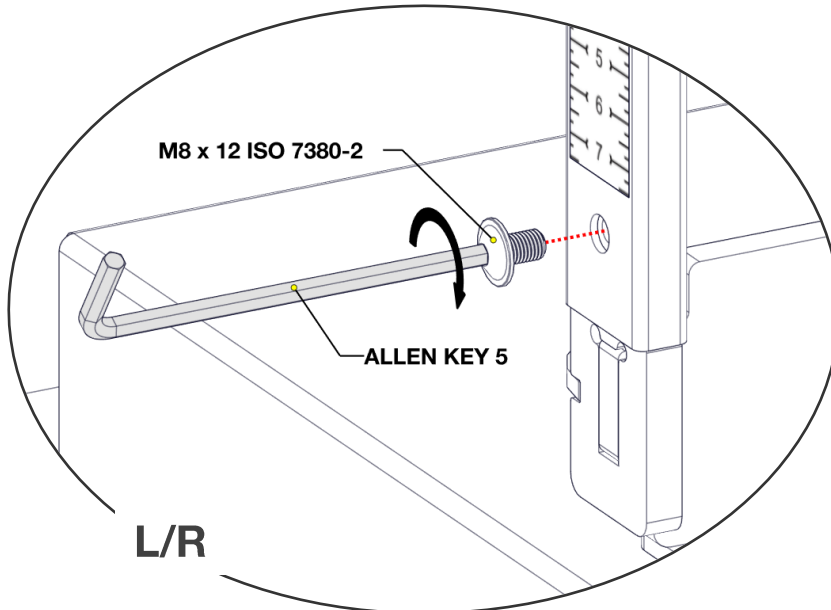
Installation of Adjustable frame

Art. No 0156-32500-0

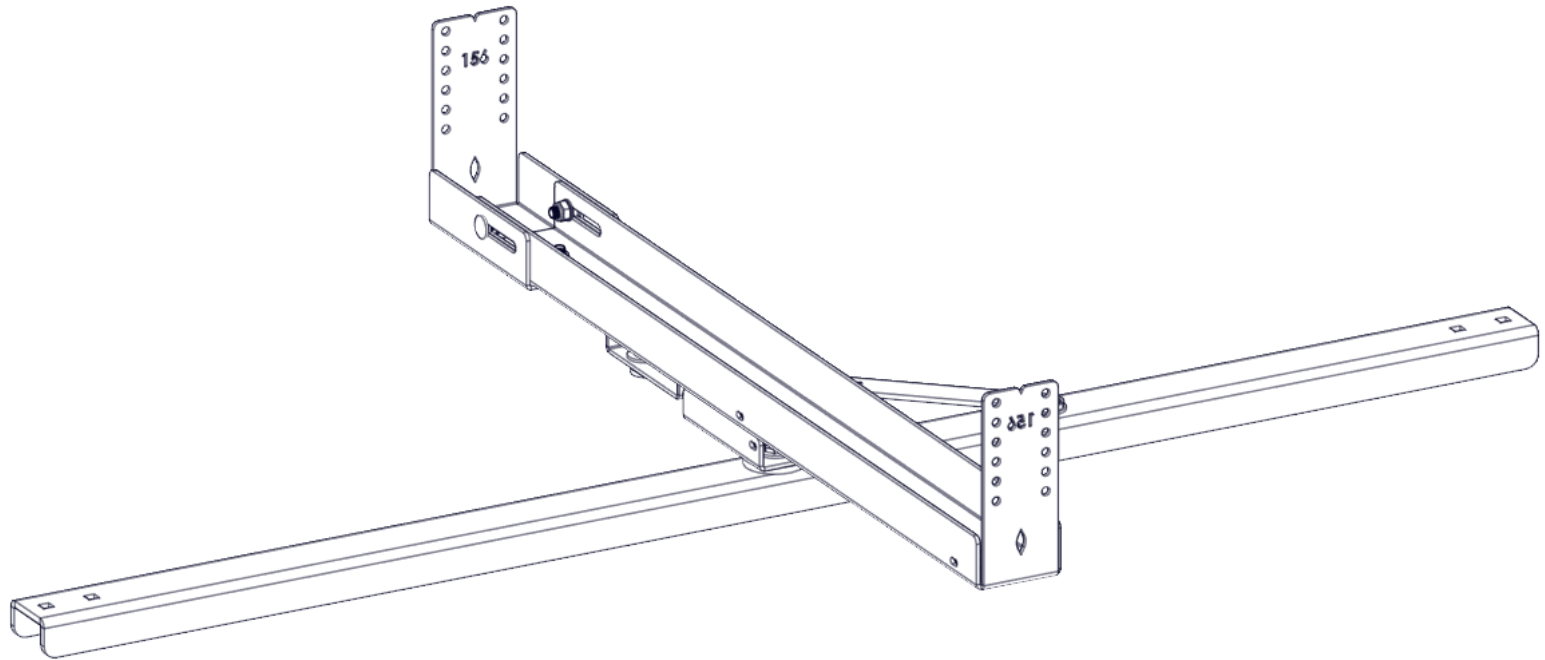
6



7

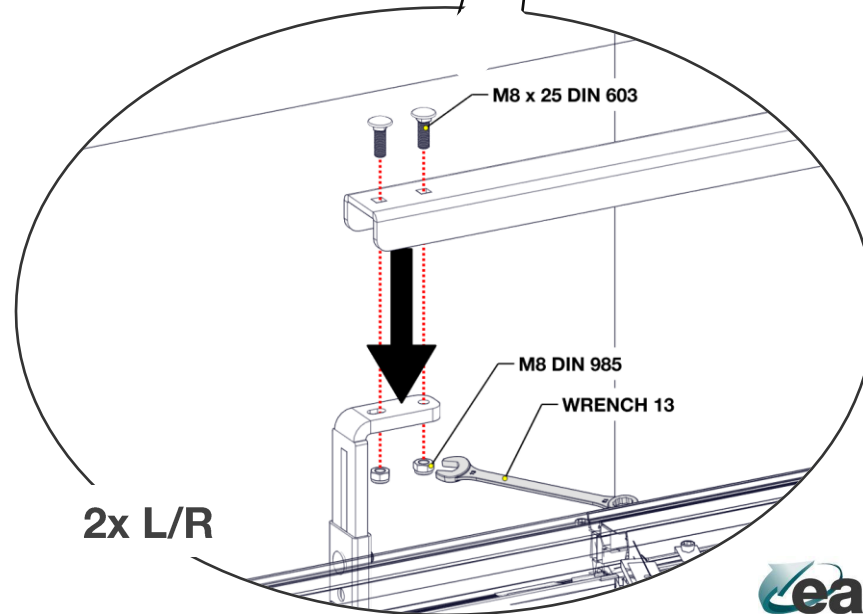
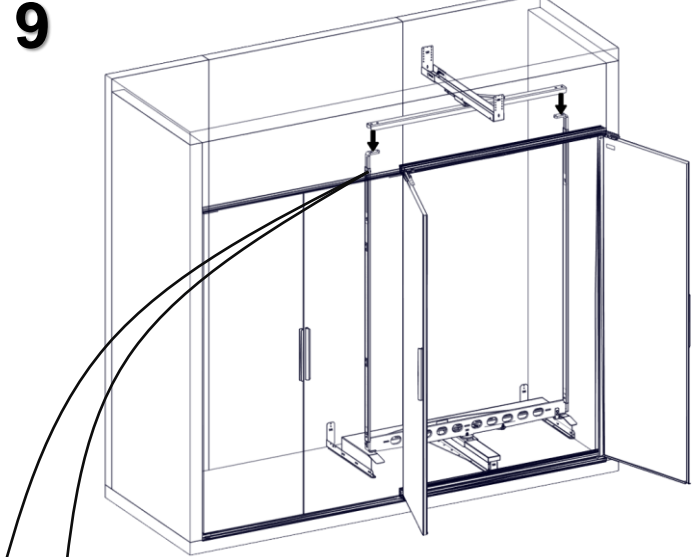
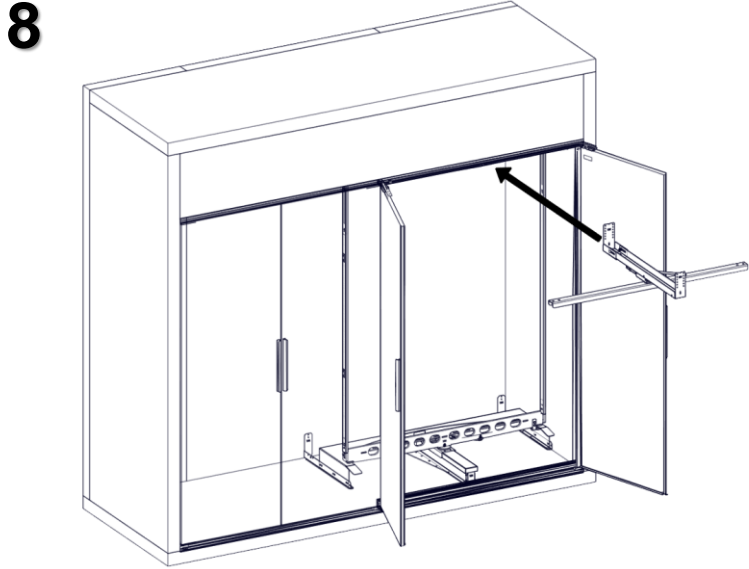


Installation of top part Art. No 0156-22000-0



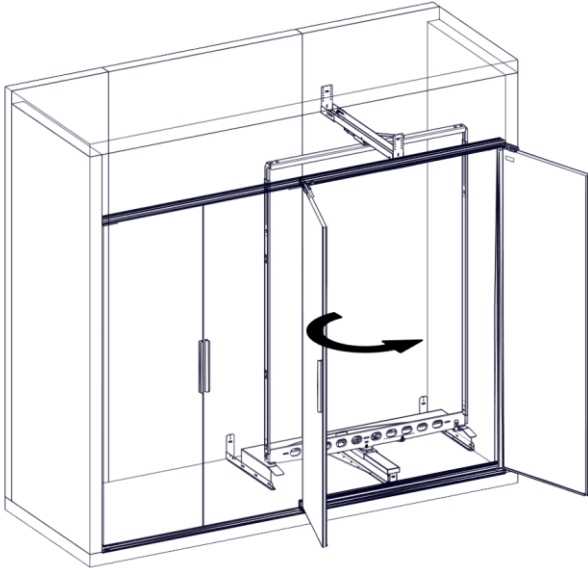
Installation of top part

Art. No 0156-22000-0

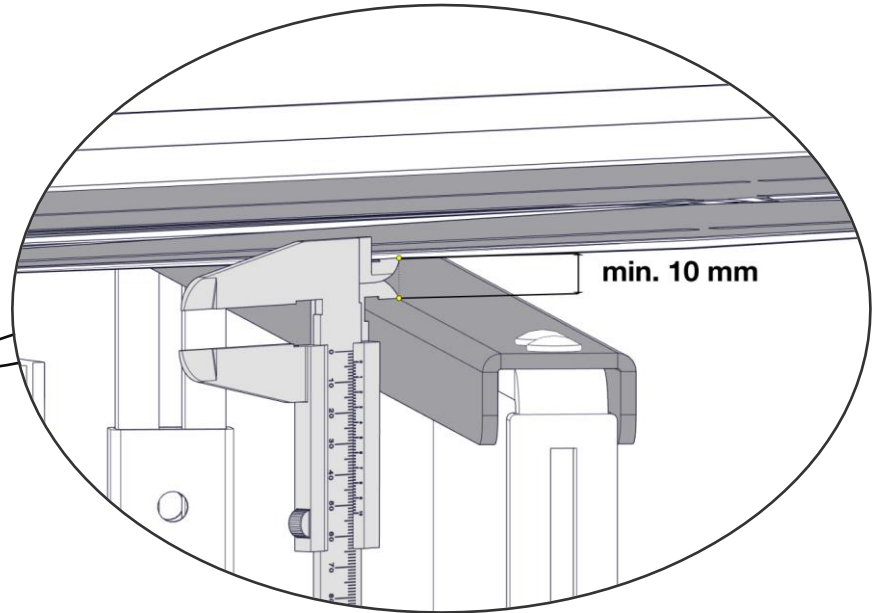
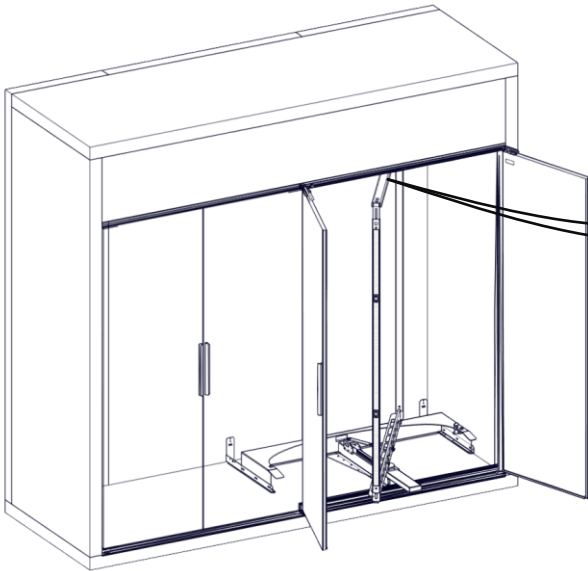


Installation of top part Art. No 0156-22000-0

10



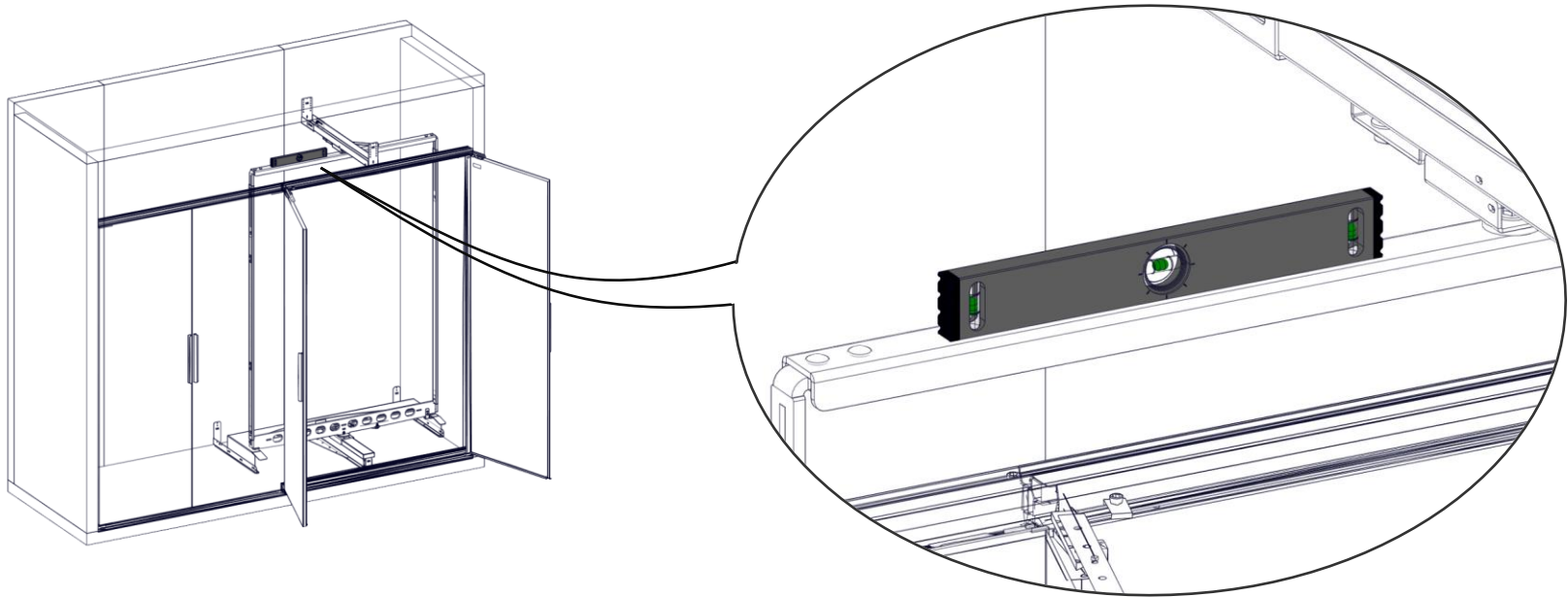
11



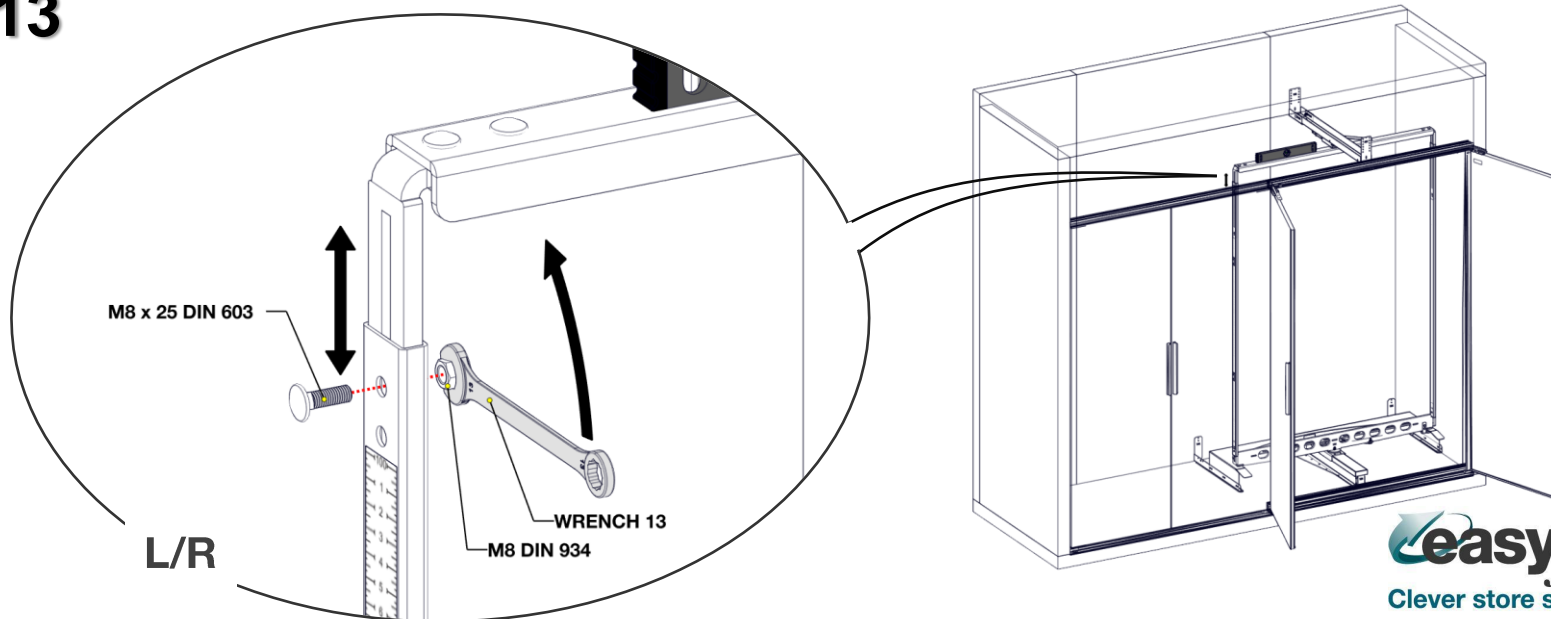
Installation of top part

Art. No 0156-22000-0

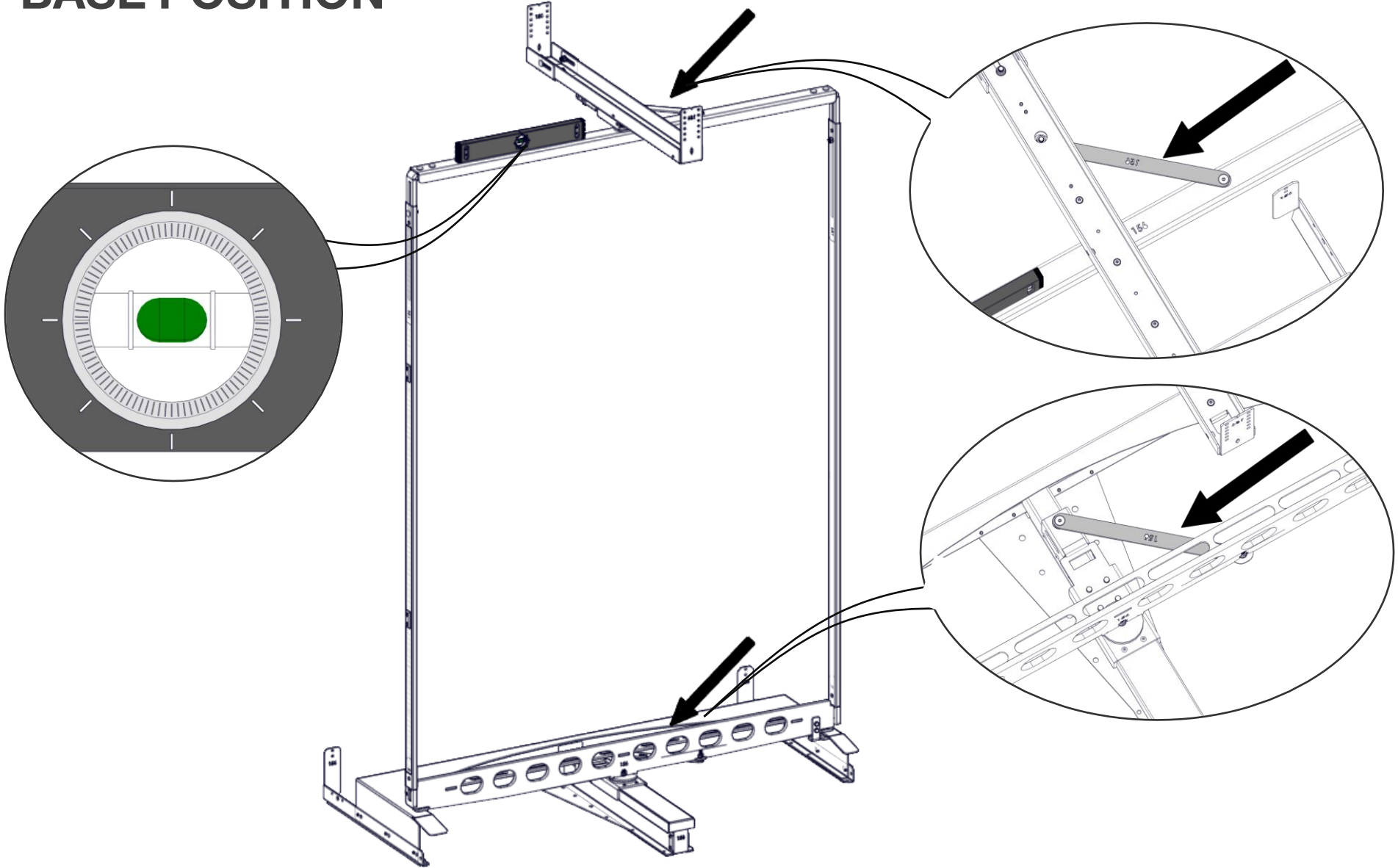
12



13

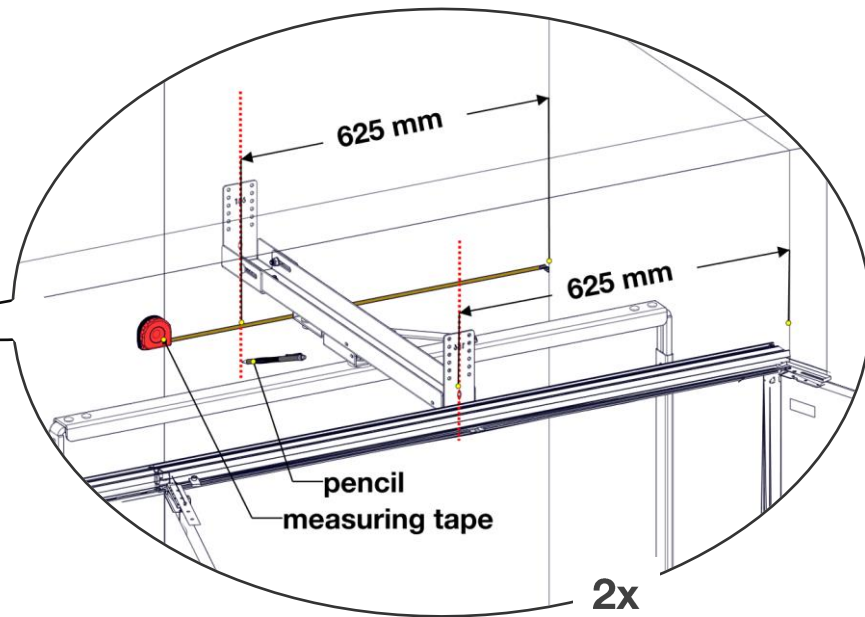
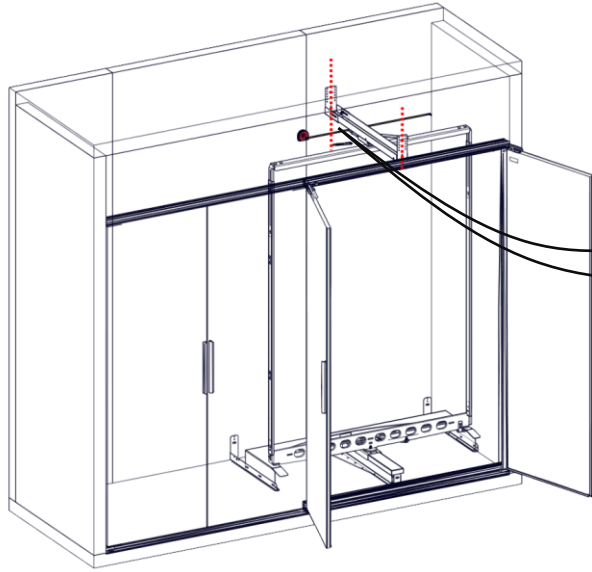


BASE POSITION

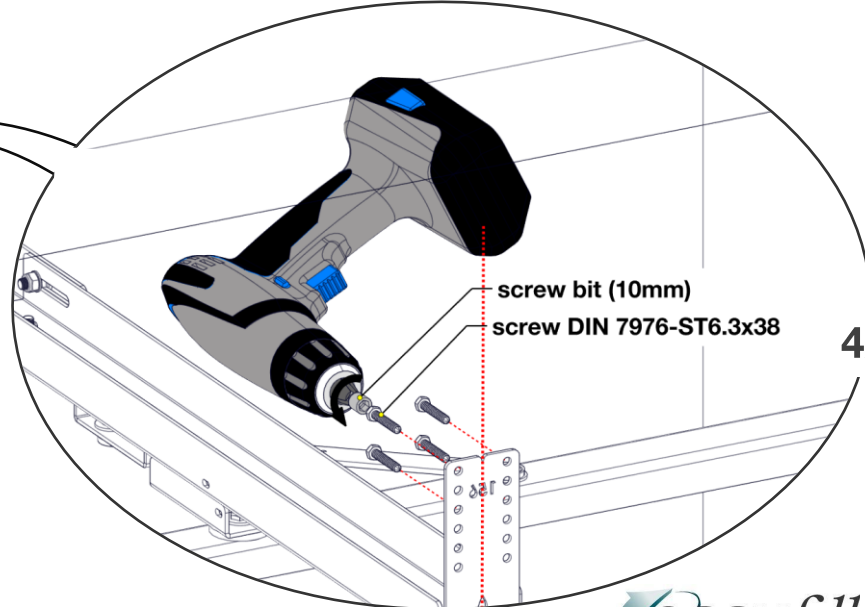
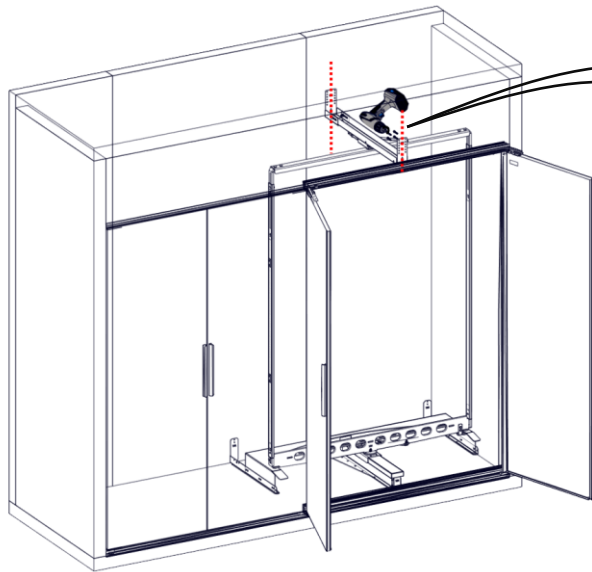


Installation of top part - Art. No 0156-22000-0

14

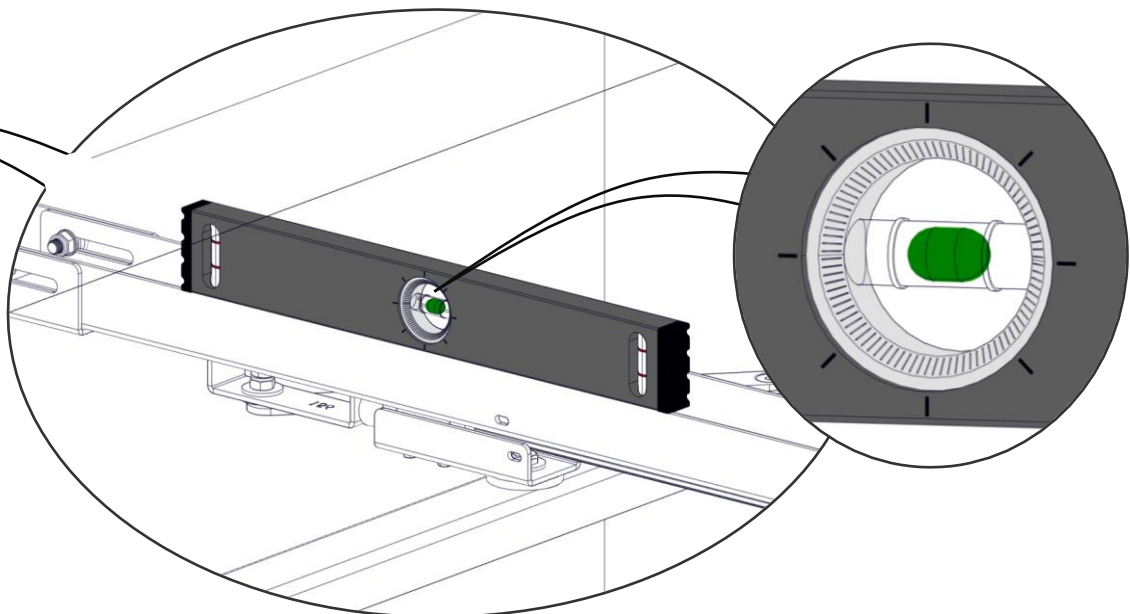
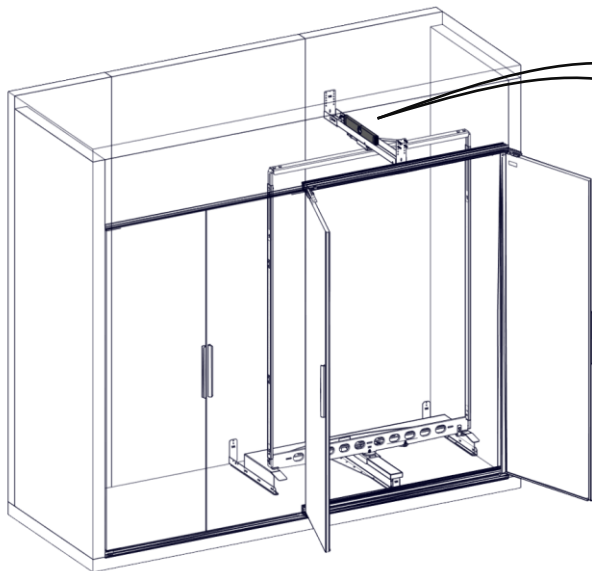


15

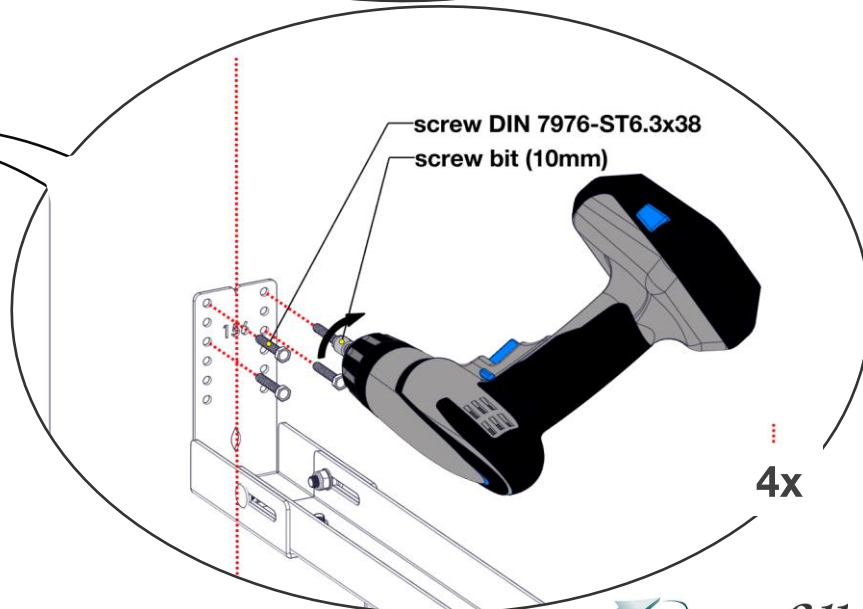
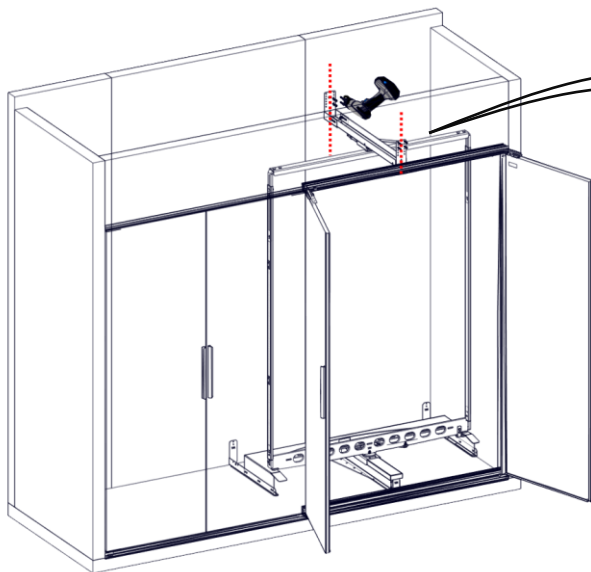


Installation of top part - Art. No 0156-22000-0

16

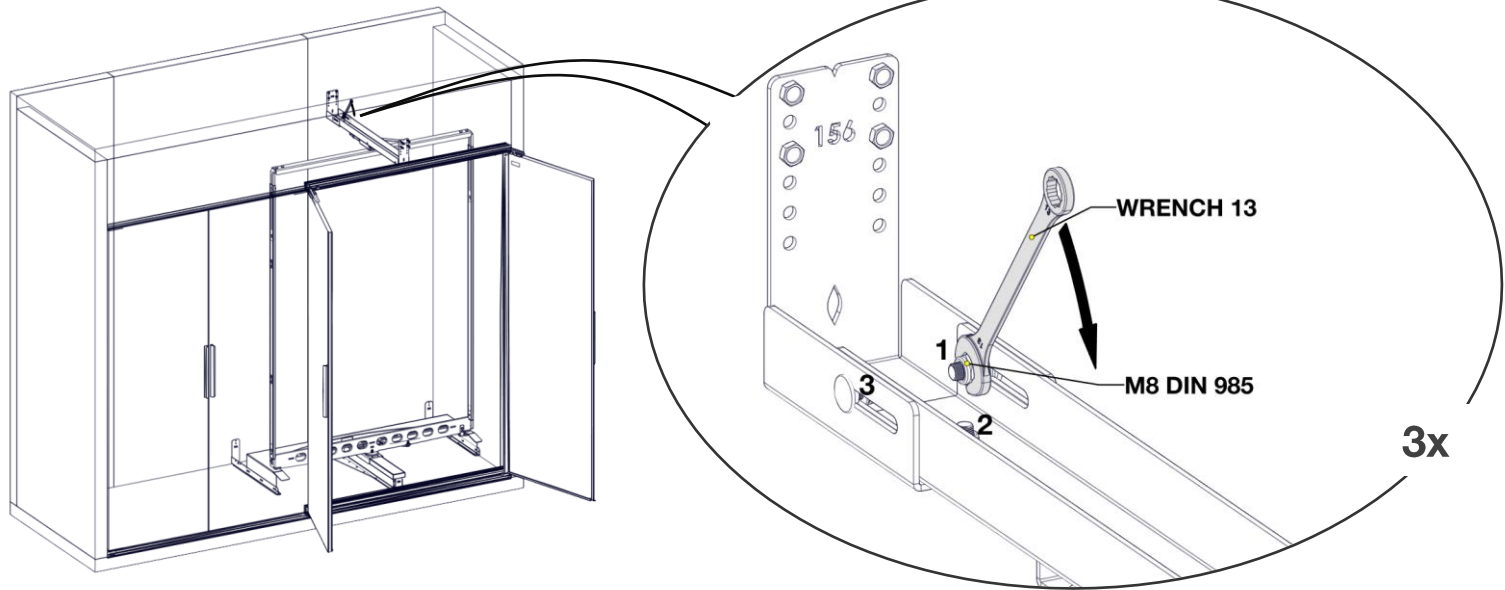


17

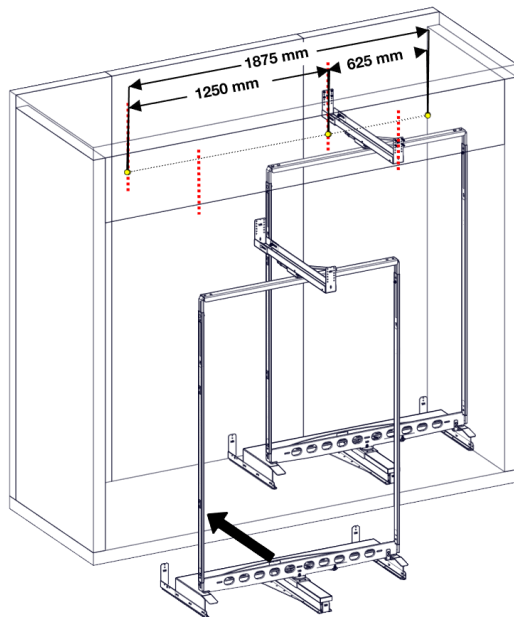


Installation of top part - Art. No 0156-22000-0

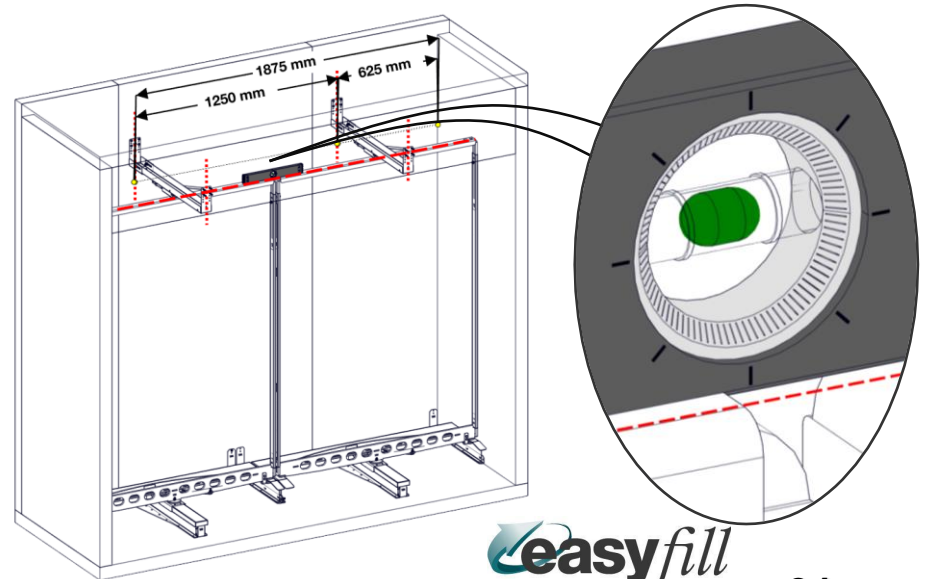
18

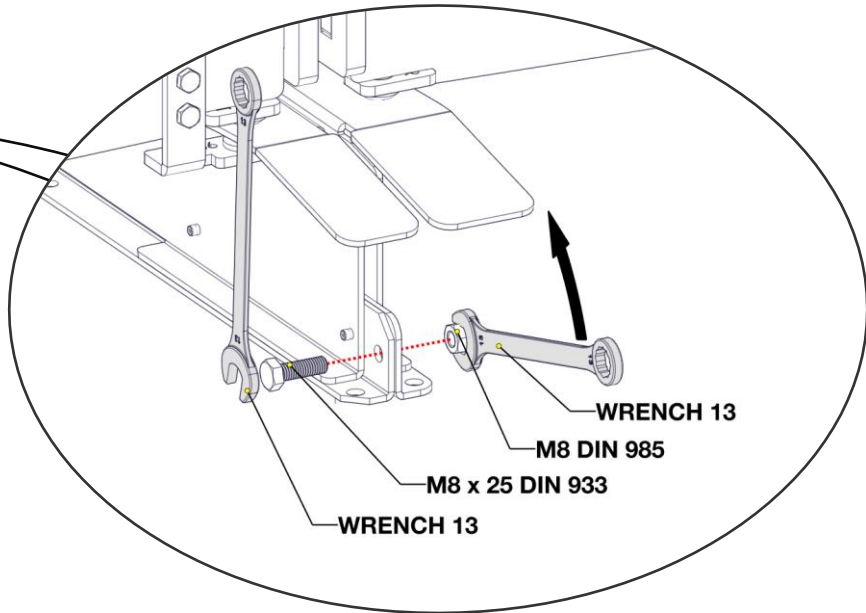
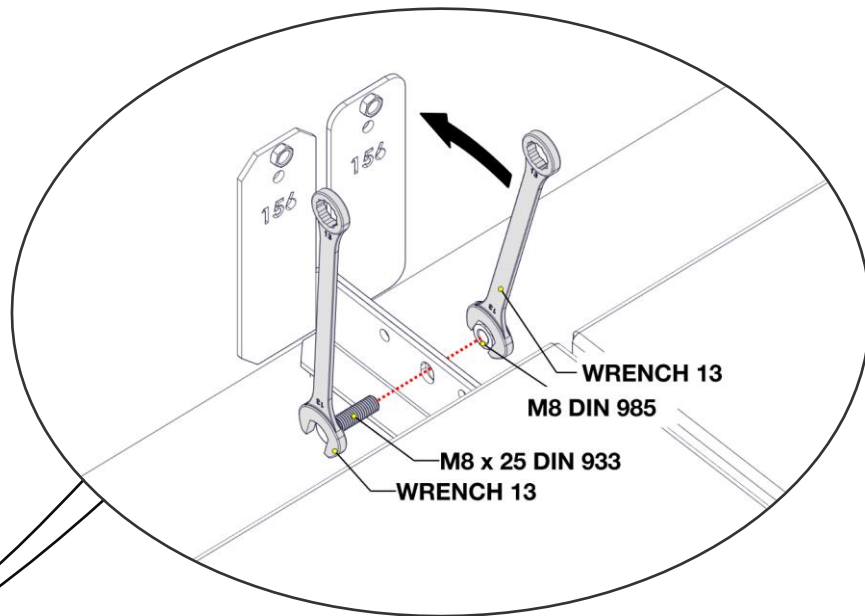
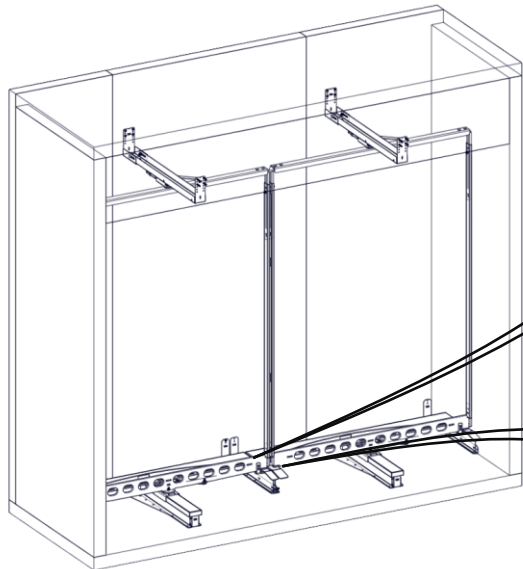


19



20

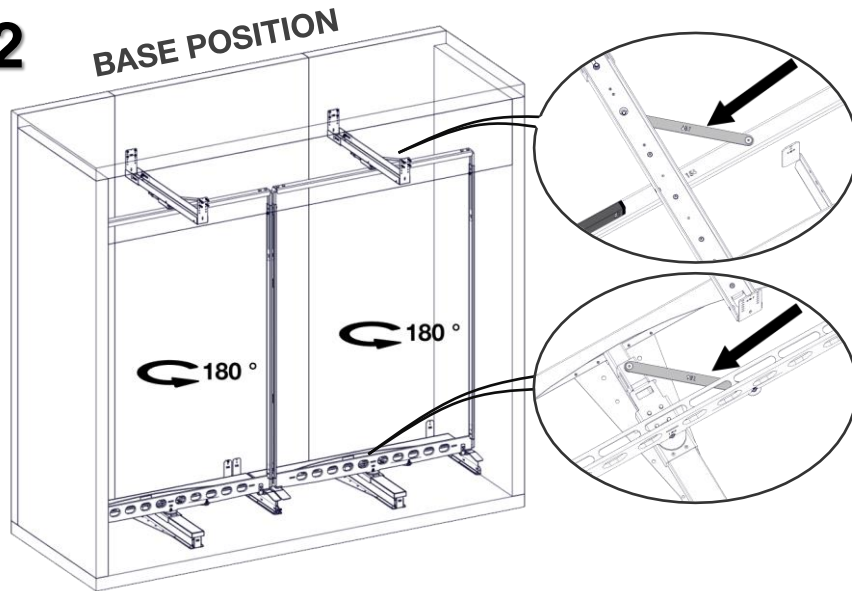




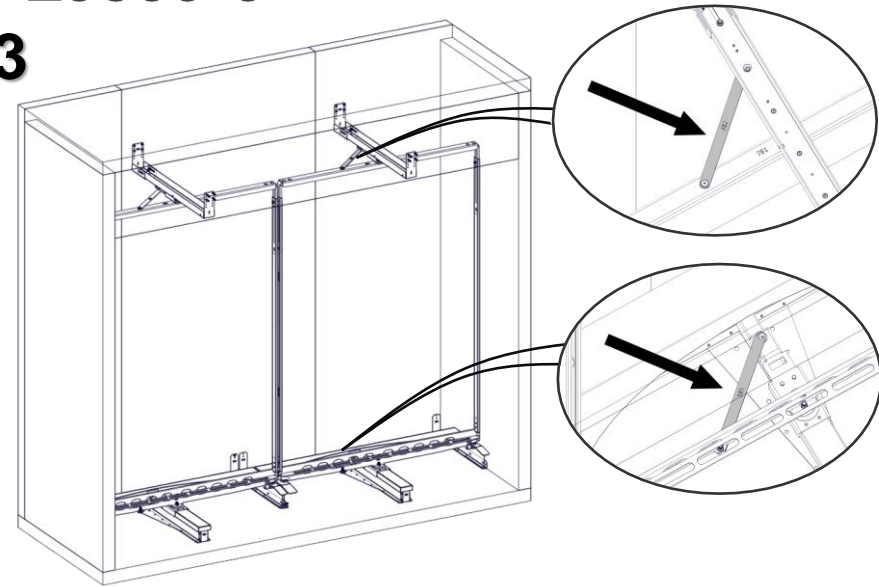
Installation shelf

Art. No 0156-29500-0

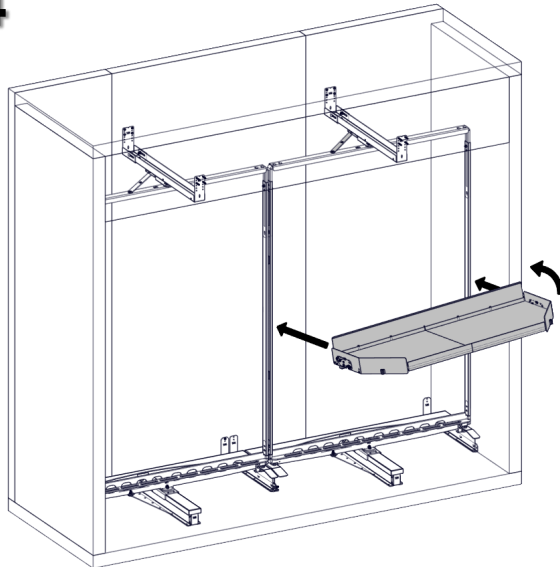
22



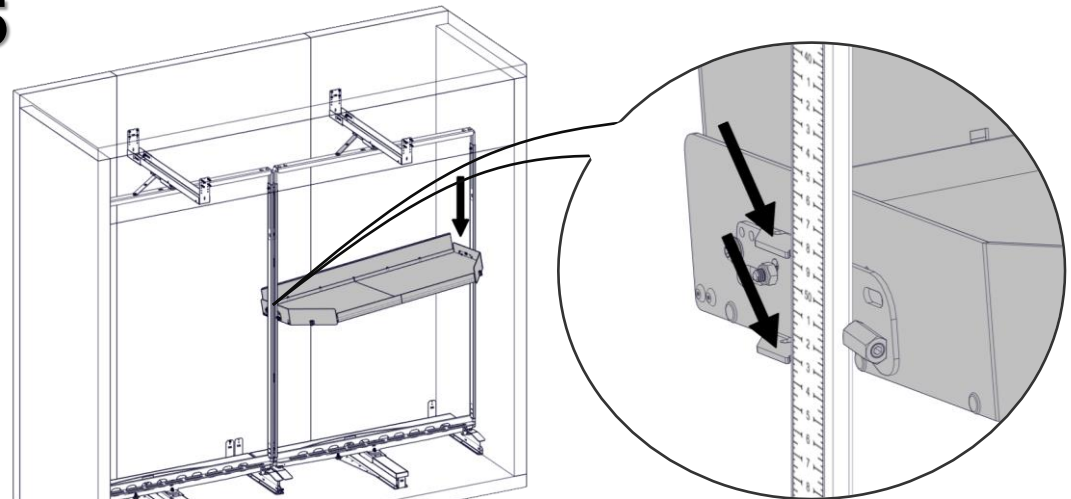
23

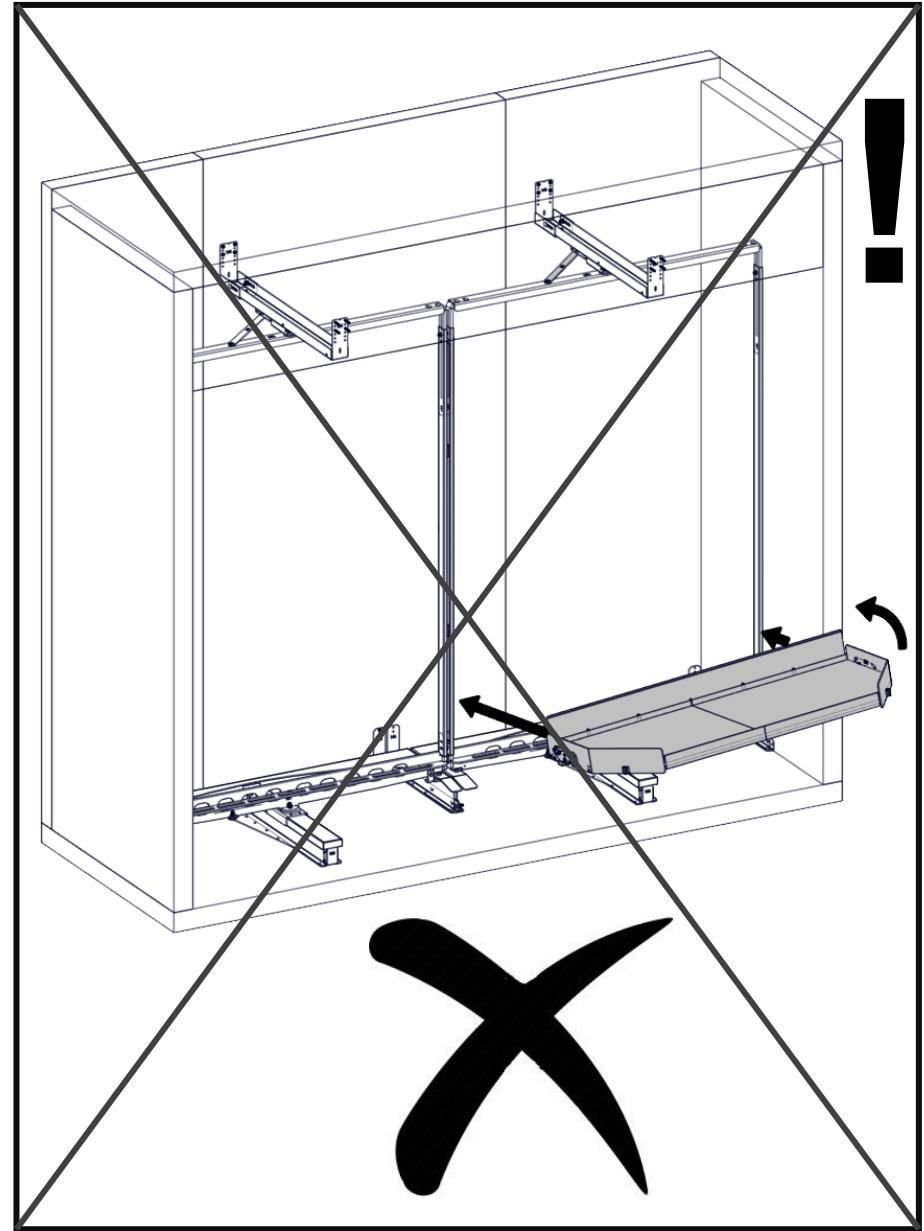
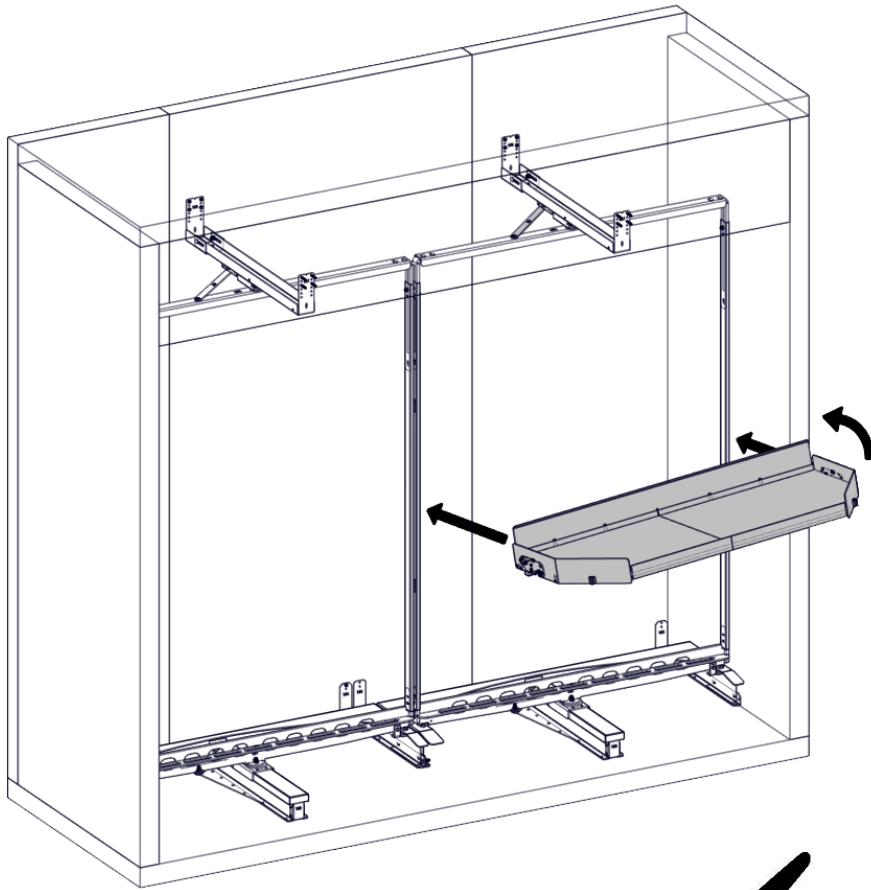


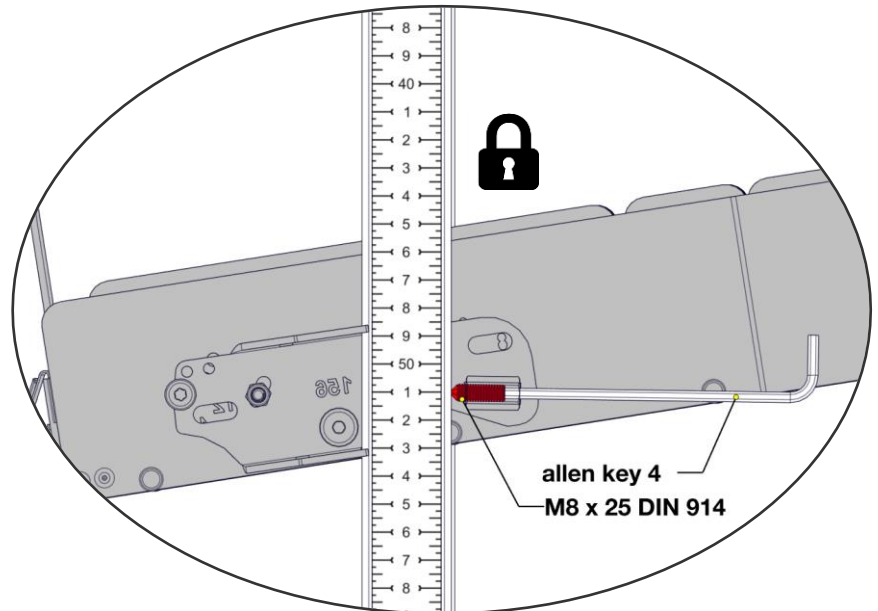
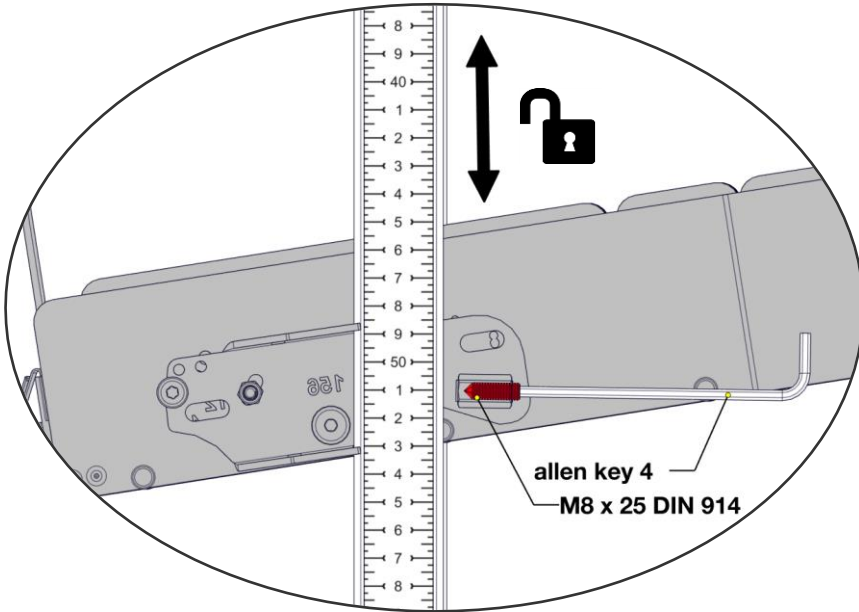
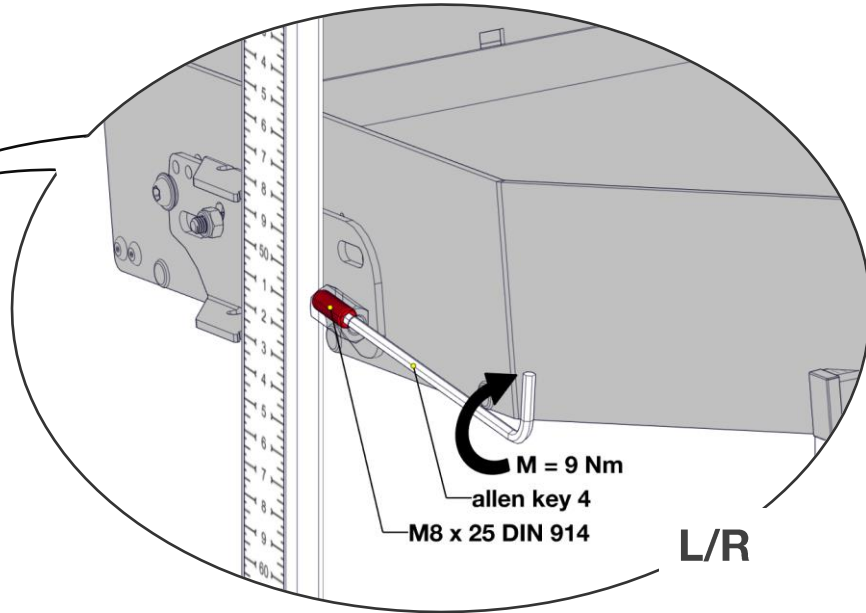
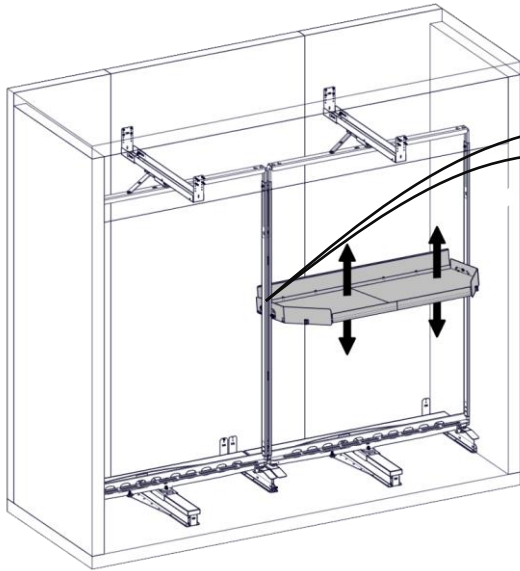
24



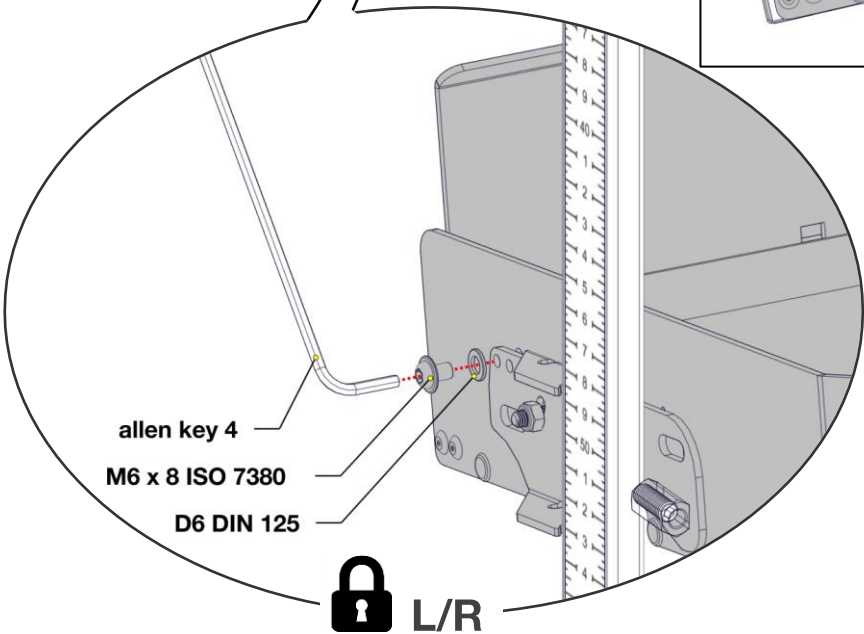
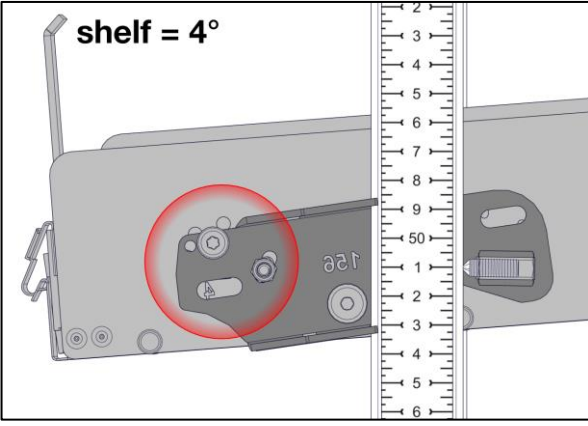
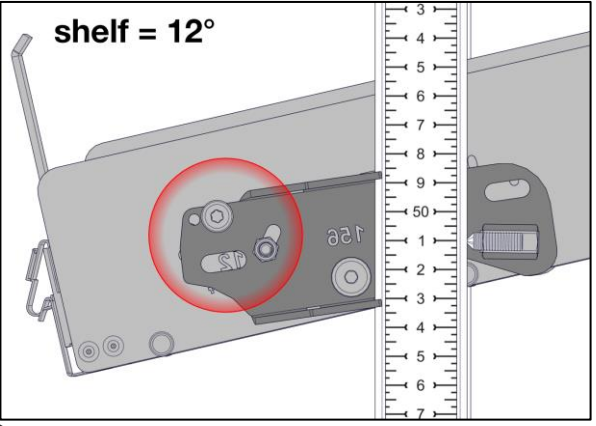
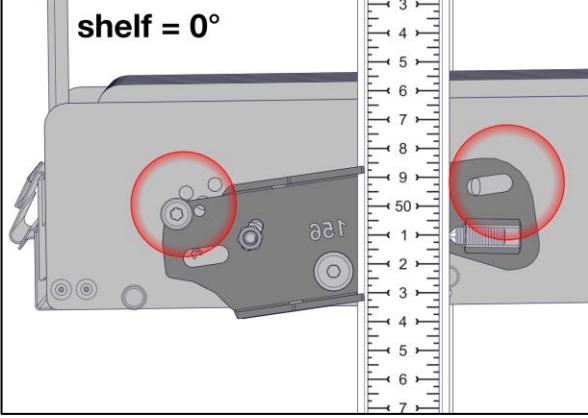
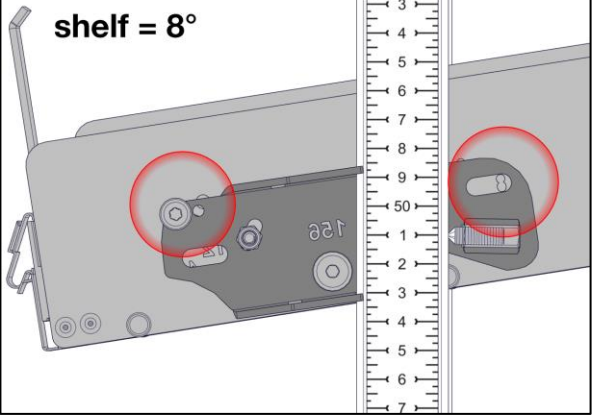
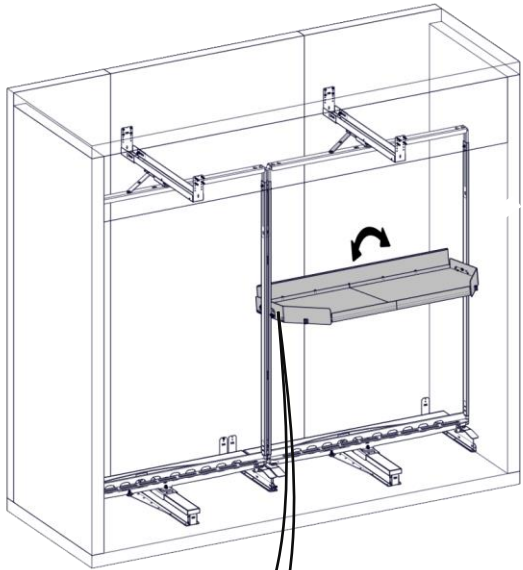
25

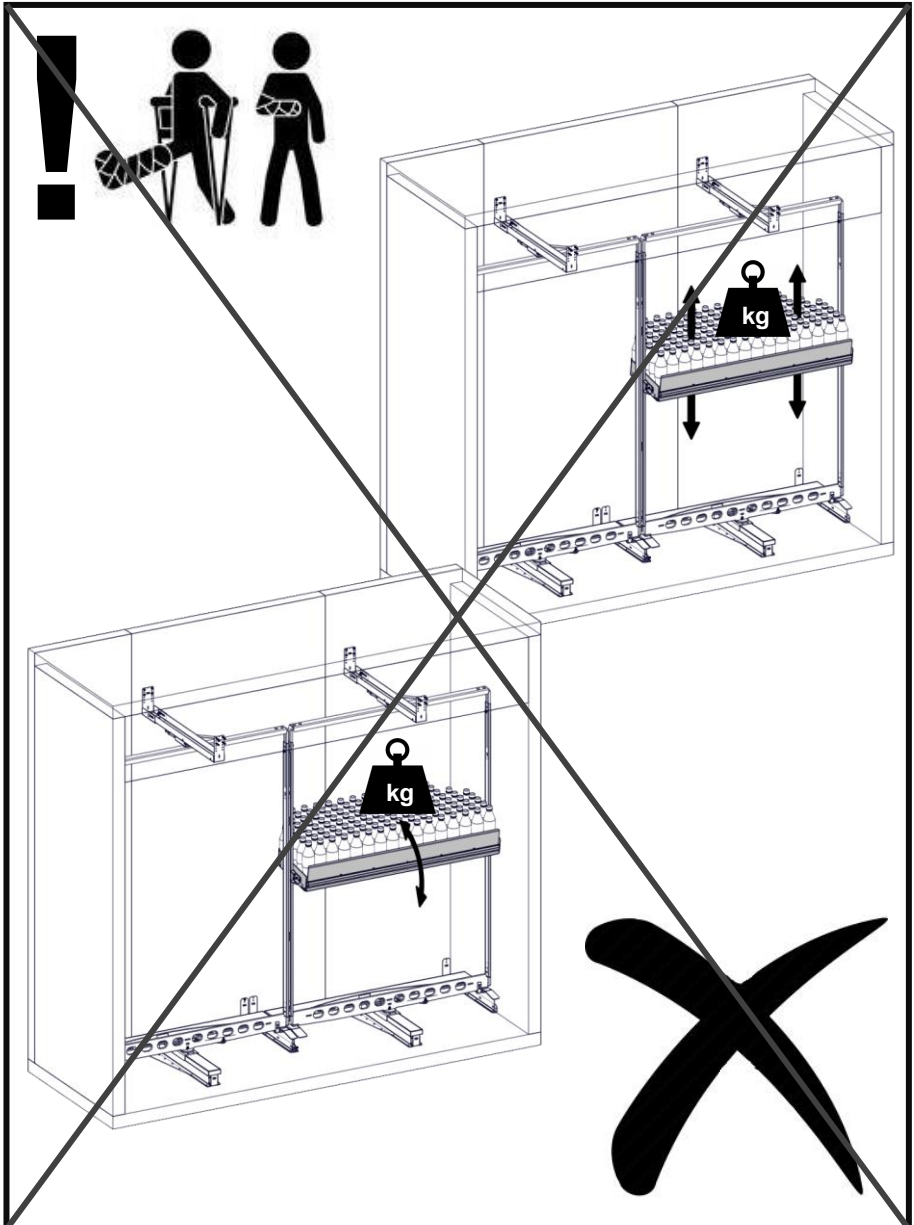
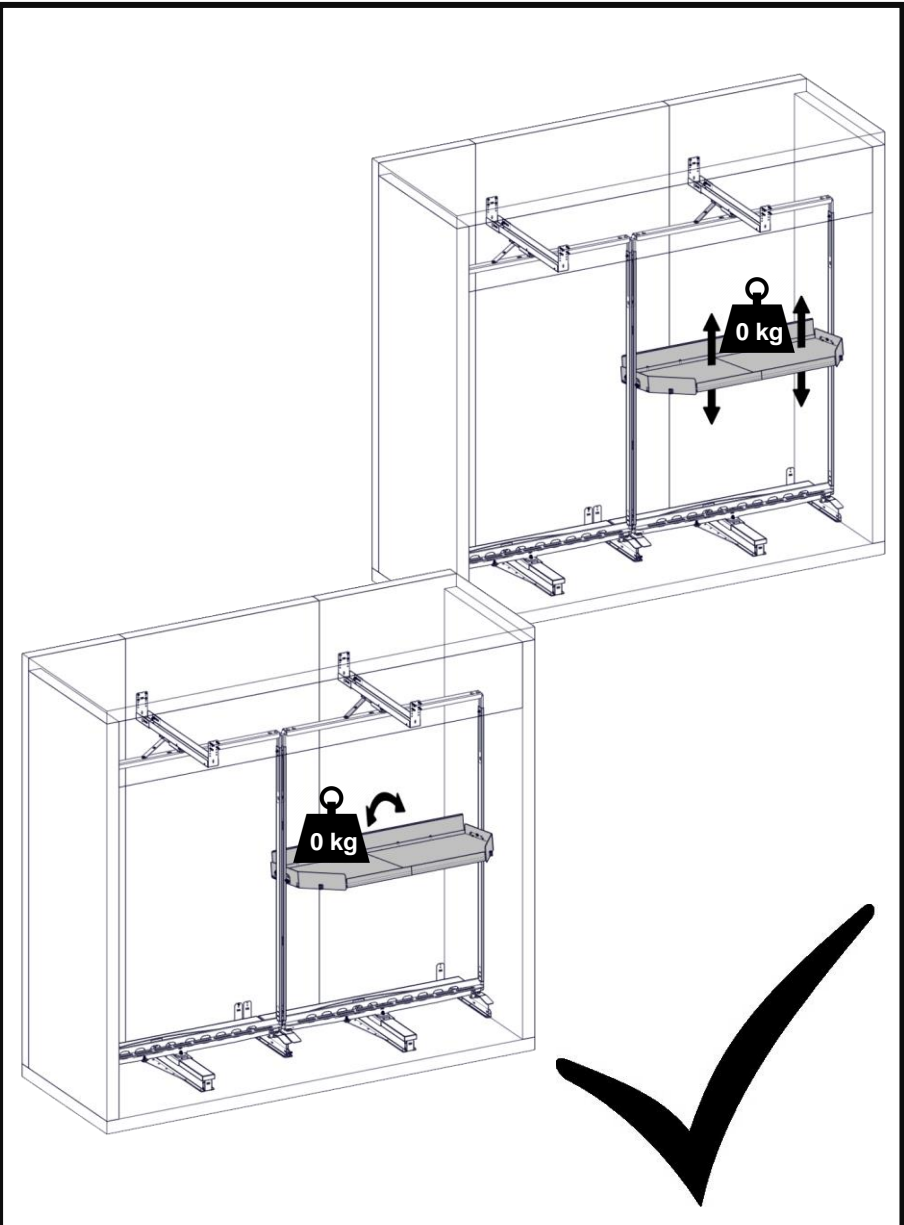




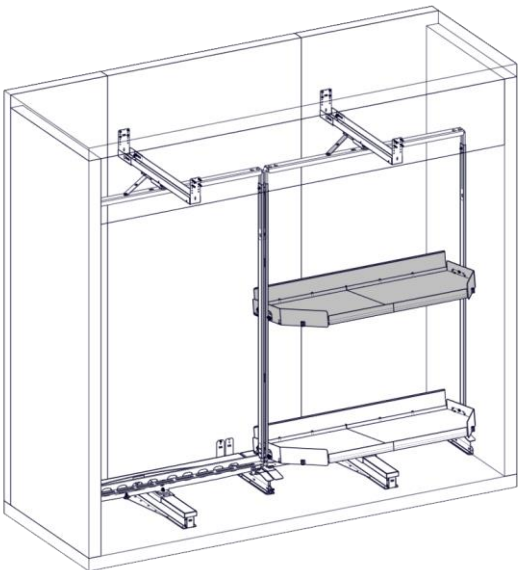


27

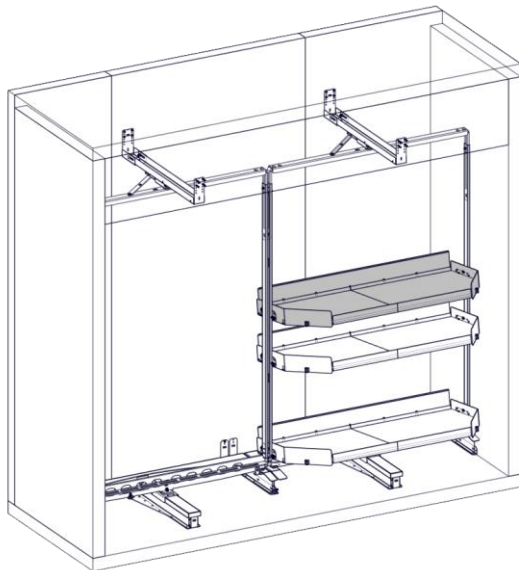




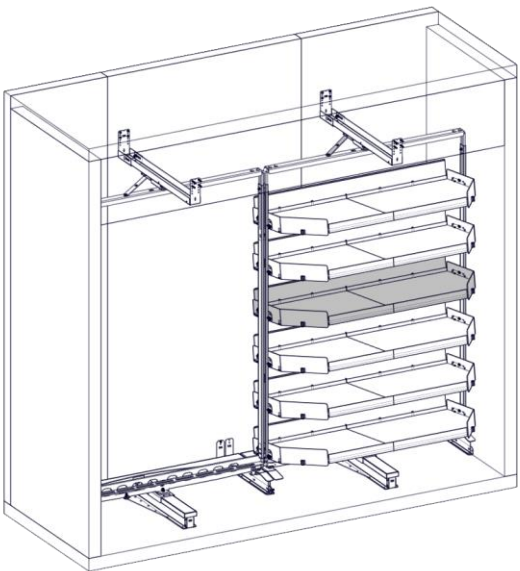
28



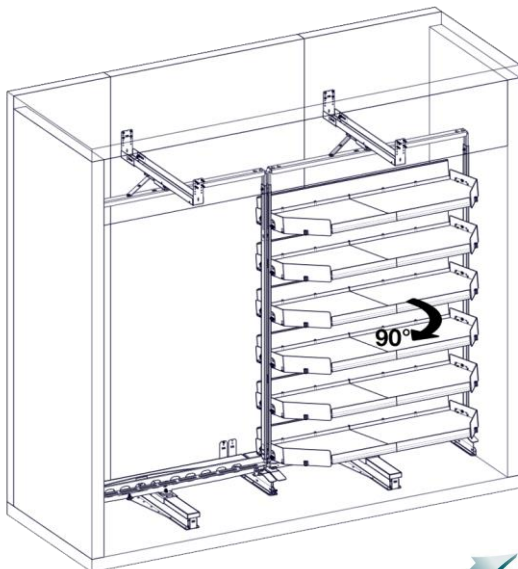
29



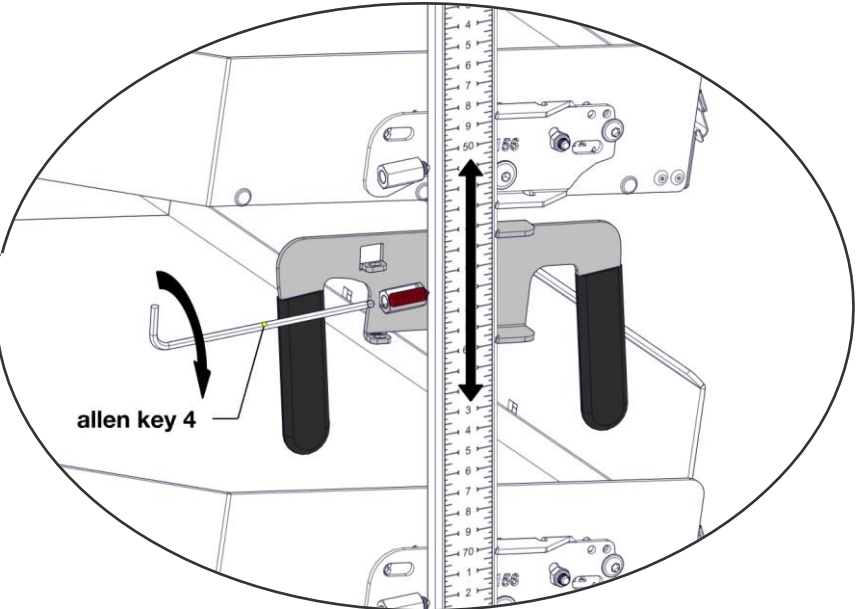
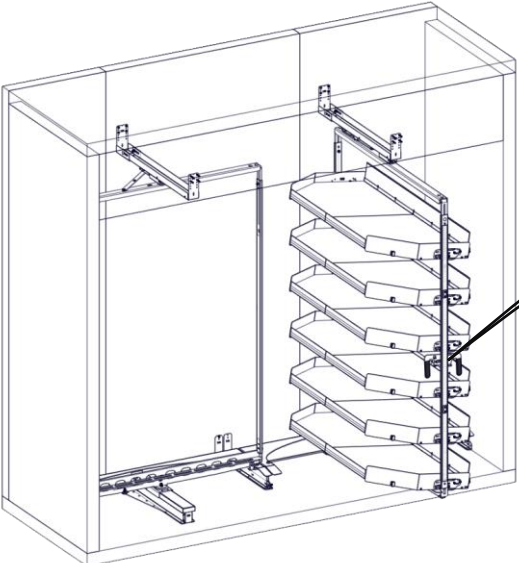
30



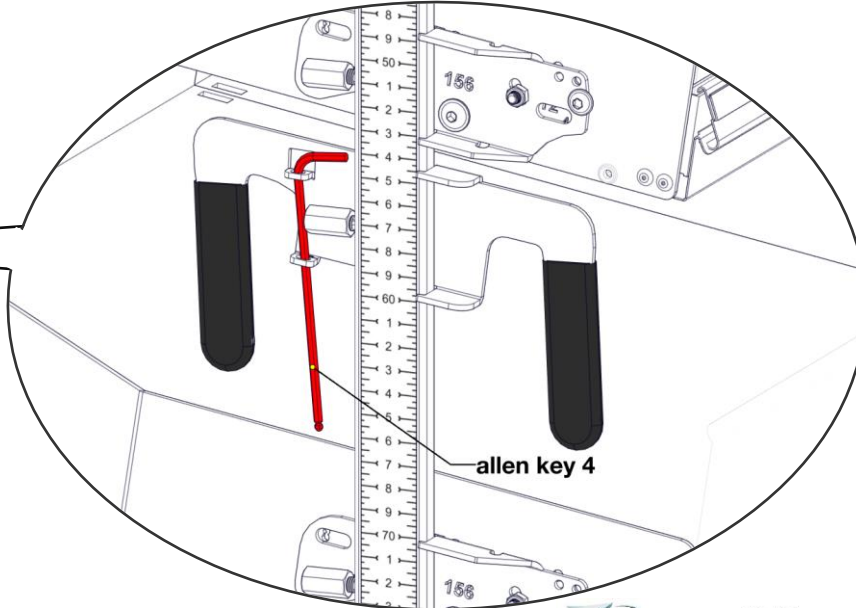
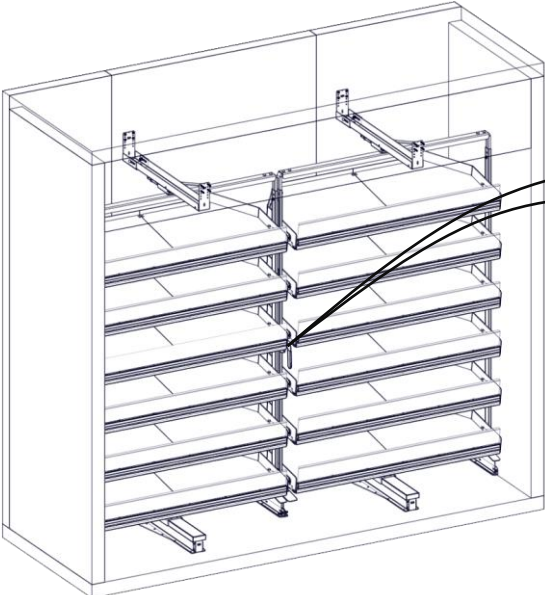
31



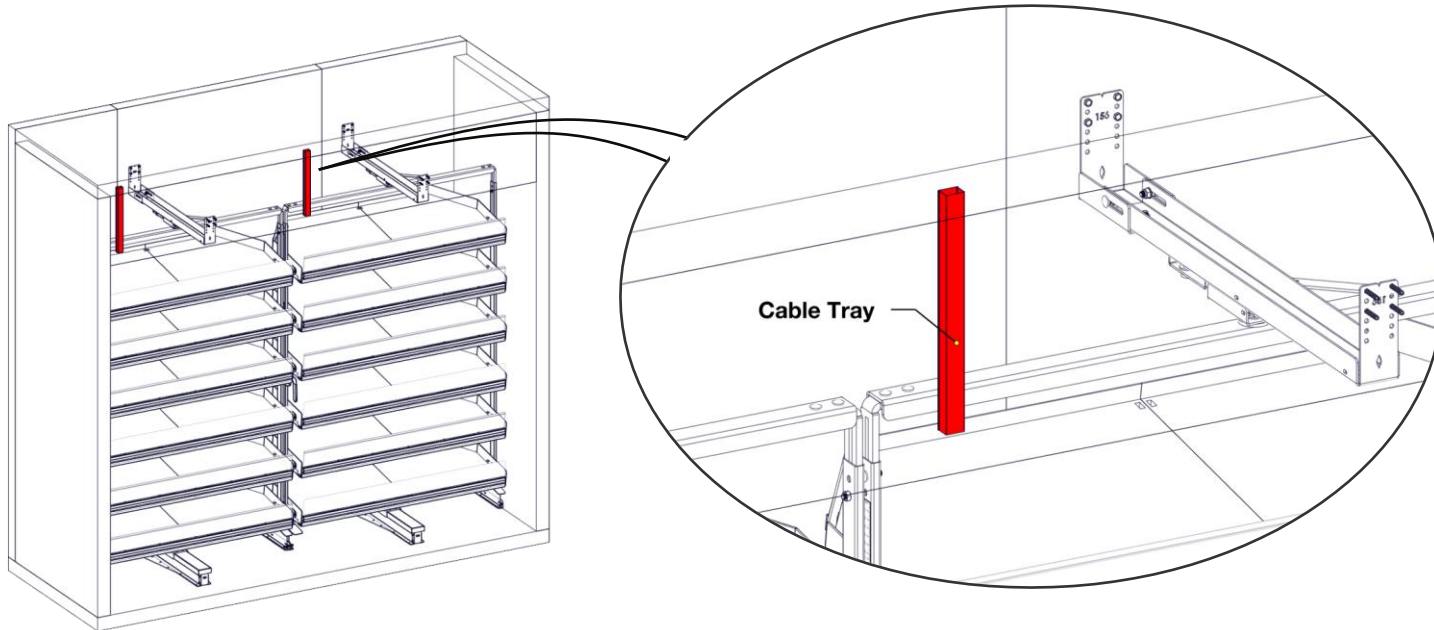
32



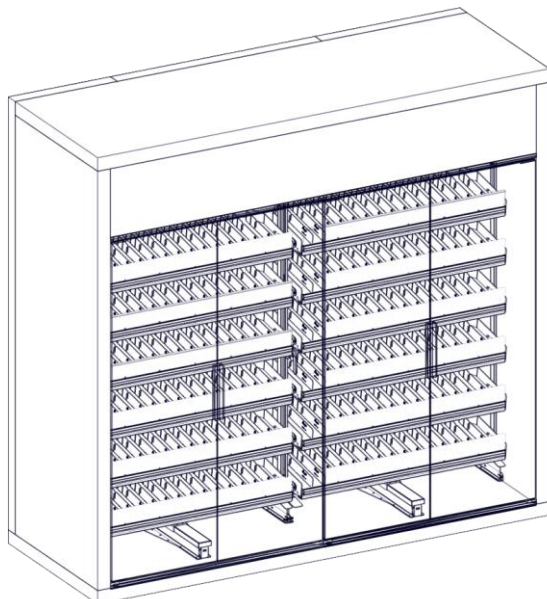
33



34



35



Thanks!
www.easyfill.se

ALL PICTURES SHOWN ARE FOR ILLUSTRATION PURPOSE ONLY.
ACTUAL PRODUCT MAY VARY DUE TO PRODUCT ENHANCEMENT.
ALL CHANGES ARE RESERVED BY EASYFILL.